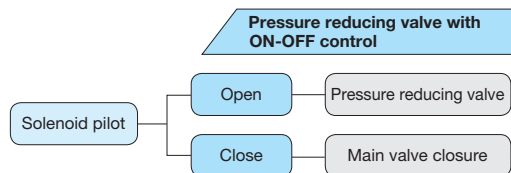


CP-2000 Series

<combination valve>

Need to use pressure reducing valves, solenoid valves, temperature regulators or its combination for a specific purpose, with large space and great cost for installation . . . Have you ever imagined that it may be helpful if a single valve combines such functions? Yoshitake CP-2000 Series integrates such functions into a single valve to realize space reduction, cost saving and controllability of plural valves without efforts.

■CP-2001



CP-2001 flanged type

Application	Steam	
Inlet pressure	0.1-1.0 MPa	
Reduced pressure	0.02-0.15 MPa 0.1-0.85 MPa	
Maximum temperature	183°C	
Actuation of solenoid valve	Normally closed	
Rated voltage	AC 100 V, 50 / 60 Hz available AC 200 V, 50 / 60 Hz available	
Connection	JIS Rc screwed JIS 10K flanged	
Material	Main valve body	Ductile cast iron
	Main valve, valve seat	Stainless steel
	Diaphragm	Stainless steel
Nominal size	Screwed: 15A-50A Flanged: 15A-100A	

· Please contact us for other specifications.

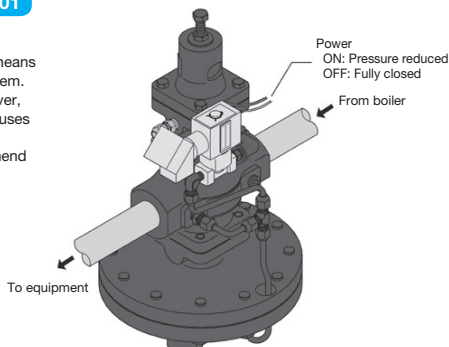
Reliable ON-OFF system by the CP-2001

■CP-2001

Steam is usually supplied only when required. This means that steam is controlled as a batch (intermittent) system. Steam ON/OFF is switched by solenoid valve, however, rapid opening/closing operation of solenoid valve causes various problems to other devices such as pressure reducing valve. To solve such problems, we recommend CP-2001.

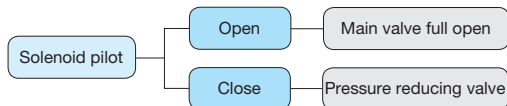
<Control example>

Solenoid valve ON	$P_1 = 1.0 \text{ MPa}$ $P_2 = 0.2 \text{ MPa}$
Solenoid valve OFF	$P_1 = 1.0 \text{ MPa}$ $P_2 = 0 \text{ MPa}$



■CP-2002

Pressure reducing valve and full-open valve



Application		Steam
Inlet pressure		0.1-1.0 MPa
Reduced pressure		0.02-0.15 MPa 0.1-0.85 MPa
Maximum temperature		183°C
Actuation of solenoid valve		Normally closed
Rated voltage		AC 100 V, 50 / 60 Hz available AC 200 V, 50 / 60 Hz available
Connection		JIS Rc screwed JIS 10K flanged
Material	Main valve body	Ductile cast iron
	Main valve, valve seat	Stainless steel
	Diaphragm	Stainless steel
Nominal size		Screwed: 15A-50A Flanged: 15A-100A

· Please contact us for other specifications.



CP-2002 Flanged type

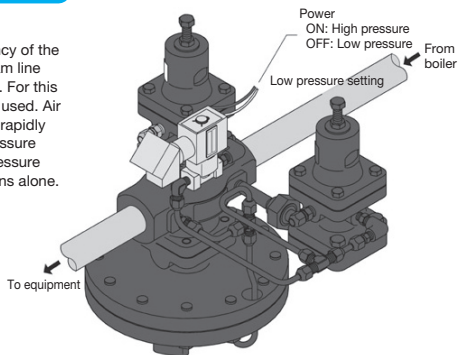
Quicker startup feasible with the CP-2003

■CP-2003

In order to increase the performance and efficiency of the system and to save energy, a high-pressure steam line and a low-pressure steam line are used together. For this purpose two or more pressure valves have been used. Air is discharged with low-pressure steam and then rapidly raised to the intended temperature with high-pressure steam, and regular operation begins with low-pressure steam. Our CP-2003 can perform these operations alone.

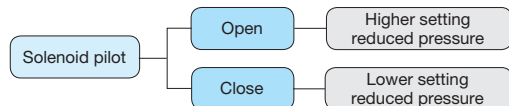
<Control example>

Solenoid valve ON	$P_1 = 1.0 \text{ MPa}$	$P_2 = 0.5 \text{ MPa}$
Solenoid valve OFF	$P_1 = 1.0 \text{ MPa}$	$P_2 = 0.2 \text{ MPa}$



■CP-2003

Two-point switching of reduced pressure



Application	Steam	
Inlet pressure	0.1-1.0 MPa	
Reduced pressure	0.02-0.15 MPa 0.1-0.85 MPa	
Maximum temperature	183°C	
Actuation of solenoid valve	Normally closed	
Rated voltage	AC 100 V, 50 / 60 Hz available AC 200 V, 50 / 60 Hz available	
Connection	JIS Rc screwed JIS 10K flanged	
Material	Main valve body	Ductile cast iron
	Main valve, valve seat	Stainless steel
	Diaphragm	Stainless steel
Nominal size	Screwed: 15A-50A Flanged: 15A-100A	

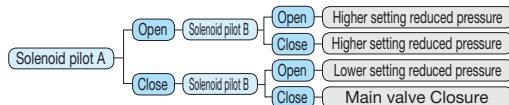
· Please contact us for other specifications.



CP-2003 Flanged type

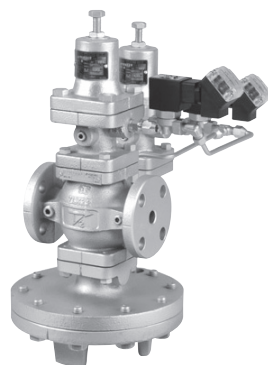
■CP-2004

Switching of reduced pressure with ON-OFF control



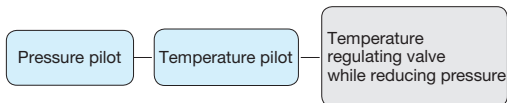
Application	Steam	
Inlet pressure	0.1-1.0 MPa	
Reduced pressure	0.02-0.15 MPa 0.1-0.85 MPa	
Maximum temperature	183°C	
Actuation of solenoid valve	Normally closed	
Rated voltage	AC 100 V, 50 / 60 Hz available AC 200 V, 50 / 60 Hz available	
Connection	JIS Rc screwed JIS 10K flanged	
Material	Main valve body	Ductile cast iron
	Main valve, valve seat	Stainless steel
	Diaphragm	Stainless steel
Nominal size	Screwed: 15A-50A Flanged: 15A-100A	

· Please contact us for other specifications.



CP-2004 Flanged type

■CP-2005

Temperature regulating valve
with pressure control

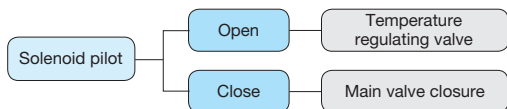
Application	Heating fluid	Steam
	Heated fluid	Water, Oil, Liquid
Inlet pressure		0.1-2.0 MPa
Reduced pressure		0.02-0.15 MPa 0.1-1.4 MPa
Maximum temperature		220°C
Bulb maximum pressure		1.0 MPa
Temperature adjustment range		-8 - 183°C
Connection		JIS Rc screwed JIS 10K/20K flanged
Material	Main valve body	Ductile cast iron
	Main valve, valve seat	Stainless steel
	Diaphragm	Stainless steel
Nominal size		Screwed: 15A-50A Flanged: 15A-100A

- Standard sensor length is 2M.
- Please contact us for other specifications.



CP-2005 Flanged type

■CP-2006

Temperature regulating valve
with ON-OFF control

Application	Heating fluid	Steam
	Heated fluid	Water, Oil, Liquid
Maximum pressure		1.0 MPa
Maximum temperature		183°C
Actuation of solenoid valve		Normally closed
Rated voltage		AC 100 V, 50 / 60 Hz available AC 200 V, 50 / 60 Hz available
Bulb maximum pressure		1.0 MPa
Temperature adjustment range		-8 - 183°C
Connection		JIS Rc screwed JIS 10K flanged
Material	Body	Ductile cast iron
	Main valve, valve seat	Stainless steel
	Diaphragm	Stainless steel
Nominal size		Screwed: 15A-50A Flanged: 15A-100A

- Standard sensor length is 2M.
- Please contact us for other specifications.



CP-2006 Flanged type