

Ultrasonic leak detector

Model 003



Model 003

To detect leaks:

- In condensate purgers.
- In valve seals.

Checking for wear on bearings.

Solving mechanical problems in general.

Ultrasound is directional and localisable. In a noisy environment we can remove or block the distorting ultrasounds. During preventive maintenance, we should place the stethoscope properly and we will detect, audibly and visually, the leaks that are affecting us. We can take corrective action, safeguarding the environment, saving energy, time and consequently money.

It meets and exceeds the requirements of ASTM E1002-2005 for Leak Detection.

Features

- Very easy to use. To correctly interpret the signals, you must have basic training and some mechanical experience, especially in the use and handling of condensate purgers and valves in general.

The equipment is supplied in a Cordura-type nylon case and comprises:

Ultrasonic pistol:

- This is an ultrasonic processor in the form of an ABS plastic pistol. It comprises a solid state hybrid heterodyne circuit receiver, with a peak response frequency of 36-44 kHz.
- With an LED type bar graph display (Red). Screen with 10 segments, where each corresponds to 3 dB, allowing us to calculate the detected decibels. One segment indicates a low level of ultrasound, and ten, a high level.
- LED battery charge level display (Red).
- Sensitivity selector. Graduated from 0 to 70 in tens of dB. It allows us to adjust the equipment to 8 positions, from higher (0) to lower (70) sensitivity.
- Headphone connector.
- Switch.
- Power: Alkaline battery 9V.

Stethoscope module:

- It acts as a wave guide. It can be plugged in. It incorporates an ultrasonic piezoelectric transducer.

Stethoscope probe:

- The probe is removable and can be replaced with two or three pieces of probe lengthener to achieve different lengths of stethoscope.

Headphones:

- They are highly resistant headphones designed to block out loud sounds in industrial environments. They allow the sounds received through the detector to be clearly distinguished.
- They are compatible with the safety helmet.
- Dual monophonic cable provided. Impedance 16 ohms. Over 23 dB of noise attenuation. They meet ANSI and OSHA requirements.

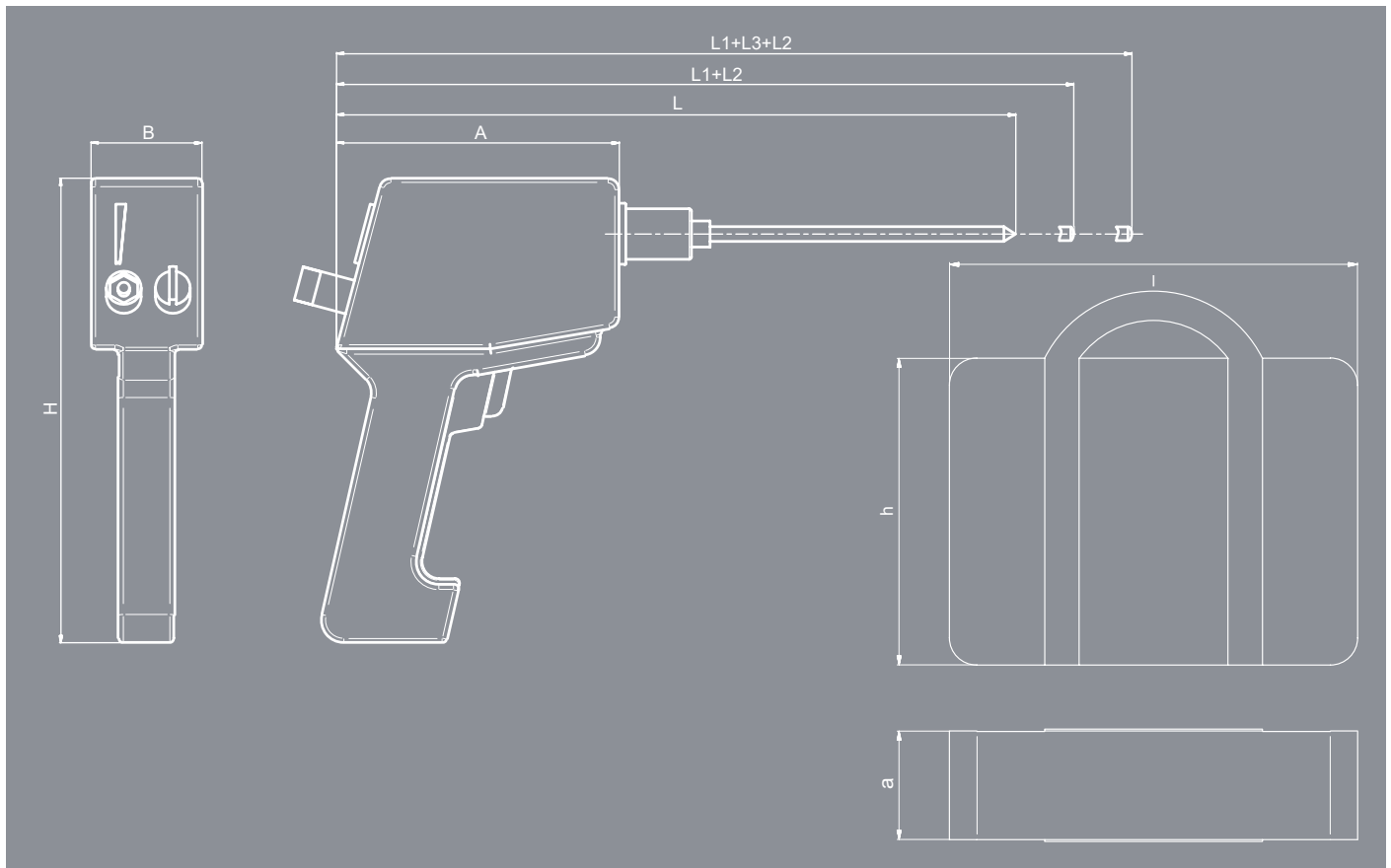
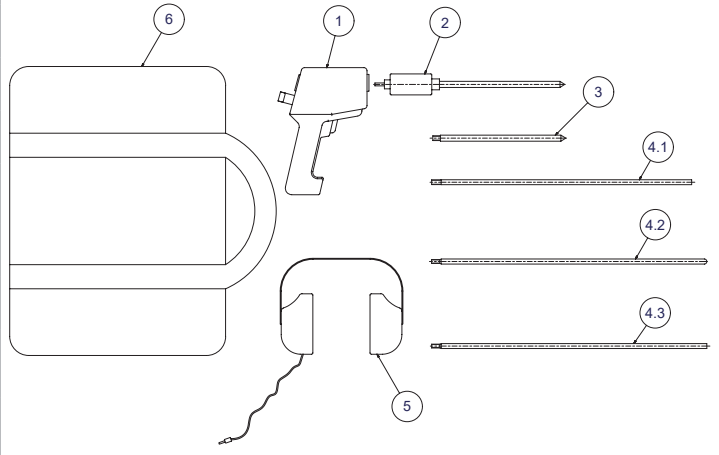
Complementary technical instructions. (ITC).

IMPORTANT

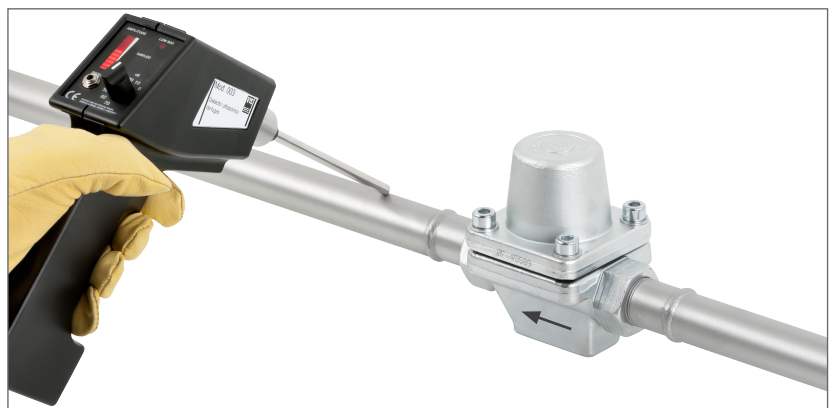
On demand:

- Speakers.
- Leak amplifier liquid.
- Scanning module.
- Rubber concentrator
- Generator of specialised tones.

| Nº PIECE | PIECE | MATERIAL |
|----------------------|-----------------------------|--|
| 1 | Ultrasonic pistol | ABS plastic |
| 2 | Stethoscope module | Stainless steel |
| 3 | Stethoscope probe | Stainless steel |
| 4 | Stethoscope probe extension | Aluminium |
| 5 | Headphones | ABS plastic |
| 6 | Case | Cordura-type nylon |
| OPERATING CONDITIONS | OPERATING TEMPERATURE | 0° C to 50° C (32° F to 120° F) |
| | STORAGE TEMPERATURE | -18° C to 54° C (0° F to 130° F) |
| | RELATIVE HUMIDITY | 10-95% non-condensing up to 30°C (86° F) |



| MODEL 003 | |
|----------------|------|
| B | 48 |
| H | 200 |
| A | 122 |
| L | 292 |
| L1+L2 | 681 |
| L1+L3+L2 | 960 |
| a | 125 |
| h | 350 |
| l | 455 |
| WEIGHT IN kgs. | 1,71 |
| CODE 2108-003. | 0000 |



VYC industrial, sau
Founded in 1914

Informative brochure, without obligation and subject to our General Sales Conditions.

www.vycindustrial.com
Avenç del Davi, 22 Pol. Ind. Can Petit 08227 TERRASSA (Barcelona) SPAIN
☎ +34 93 735 76 90 ✉ 119 @ info@vycindustrial.com