

Type 442 Full nozzle ANSI
Plain lever H3
Open bonnet
Conventional design



Type 441 Full nozzle ANSI
Packed lever H4
Closed bonnet
Conventional design

Type

441, 442

Full nozzle ANSI

Flanged Safety Relief Valves – spring loaded

Contents

Chapter/Page

Materials

- Conventional design 07/02
- Balanced bellows design 07/04

How to order

- Numbering system 07/06
- Article numbers 07/08

Dimensions and weights

- Metric Units 07/10
- US Units 07/11

Pressure temperature ratings

- Metric Units 07/12
- US Units 07/13

Flange drillings and facings 07/14

Order information – Spare parts 07/15

Available options 07/16

Approvals 07/17

Capacities

- Steam [Metric Units + US Units] 07/18
- Air [Metric Units + US Units] 07/19
- Water [Metric Units + US Units] 07/20

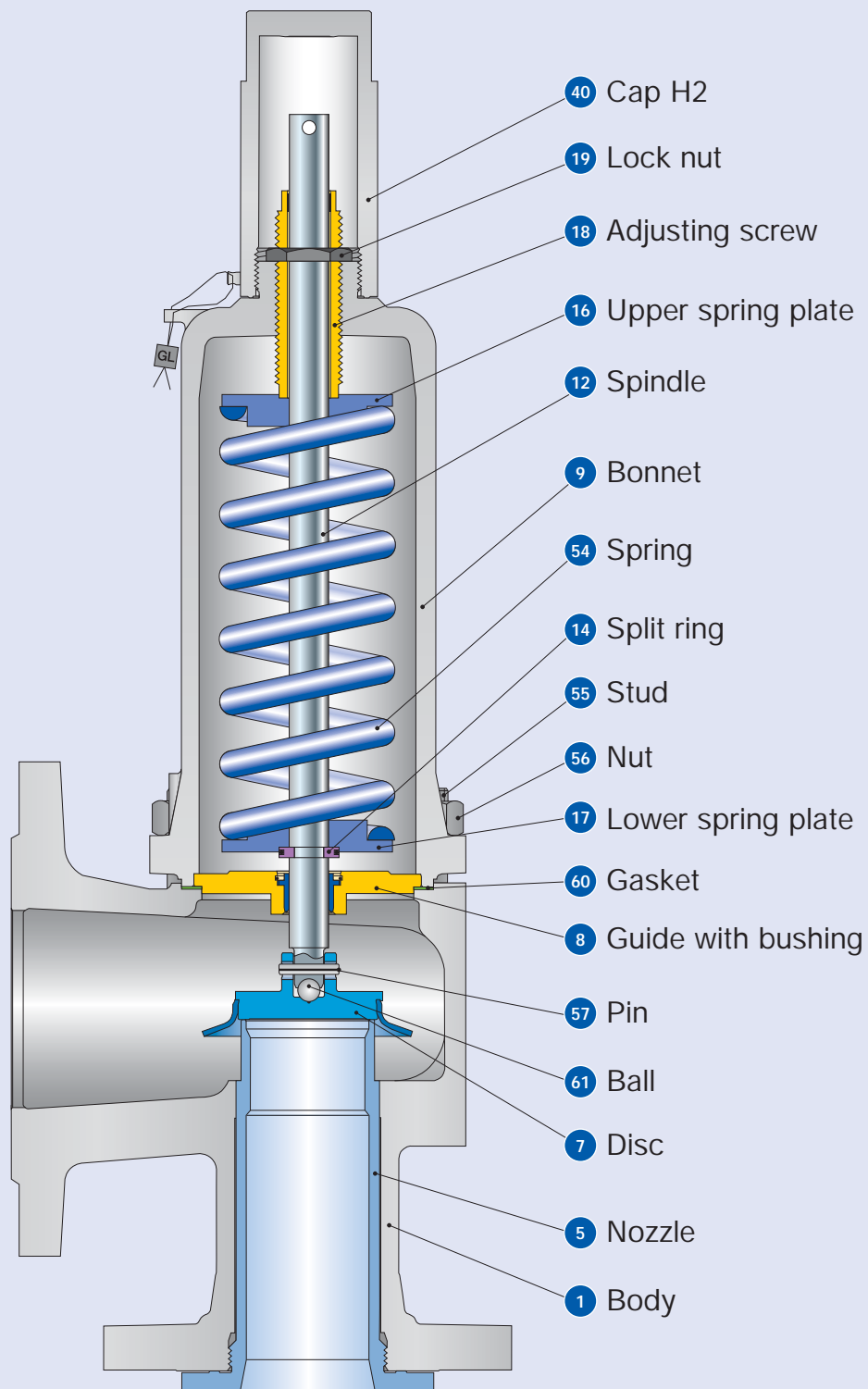
Determination of coefficient of discharge K_{dr}/α_w 07/21

Type 441, 442 Full nozzle ANSI

Type 441, 442 Full nozzle ANSI **LESER**

Conventional design

Type 441, 442 Full nozzle ANSI



Type 441, 442 Full nozzle ANSI **LESER**

Conventional design

| Materials | | | |
|-----------|---------------------------------|-------------------------------------|----------------------------|
| Item | Component | Type 4412 / 4422 Full nozzle ANSI | Type 4414 Full nozzle ANSI |
| 1 | Body | 1.0619 | 1.4408 |
| | | SA 216 WCB | SA 351 CF8M |
| 5 | Nozzle | 1.4404 | 1.4404 |
| | | 316L | 316L |
| 7 | Disc | 1.4122 | 1.4404 |
| | | Hardened stainless steel | 316L |
| 8 | Guide with bushing | 1.0501 | 1.4404 |
| | | Carbon steel | 316L |
| | | 1.4104 tenifer | - |
| | | Chrome steel | - |
| 9 | Bonnet | 0.7040, 0.7043, 1.0619 | 1.4408 or 1.4571 |
| | | Ductile Gr. 60-40-18, SA 216 WCB | SA CF8M or SA 479 316Ti |
| 12 | Spindle | 1.4021 | 1.4404 |
| | | 420 | 316L |
| 14 | Split ring | 1.4104 | 1.4404 |
| | | Chrome steel | 316L |
| 16 / 17 | Spring plate | 1.0718 | 1.4404 |
| | | 12L13 | 316L |
| 18 | Adjusting screw with bushing | 1.4104 PTFE | 1.4404 |
| | | Chrome steel PTFE | 316L PTFE |
| 19 | Lock nut | 1.0718 | 1.4404 |
| | | Steel | 316L |
| 40 | Cap H2 | 1.0718 | 1.4404 |
| | | 12L13 | 316L |
| 54 | Spring standard | 1.1200, 1.8159, 1.7102 | 1.4310 |
| | | Carbon steel | Stainless steel |
| | Spring optional | 1.4310 | - |
| 55 | Stud | 1.1181 | 1.4401 |
| | | Steel | B8M |
| 56 | Nut | 1.0501 | 1.4401 |
| | | 2H | 8M |
| 57 | Pin | 1.4310 | 1.4310 |
| | | Stainless steel | Stainless steel |
| 60 | Gasket | Graphite / 1.4401 | Graphite / 1.4401 |
| | | Graphite / 316 | Graphite / 316 |
| 61 | Ball | 1.3541 | 1.4401 |
| | | Hardened stainless steel | 316 |

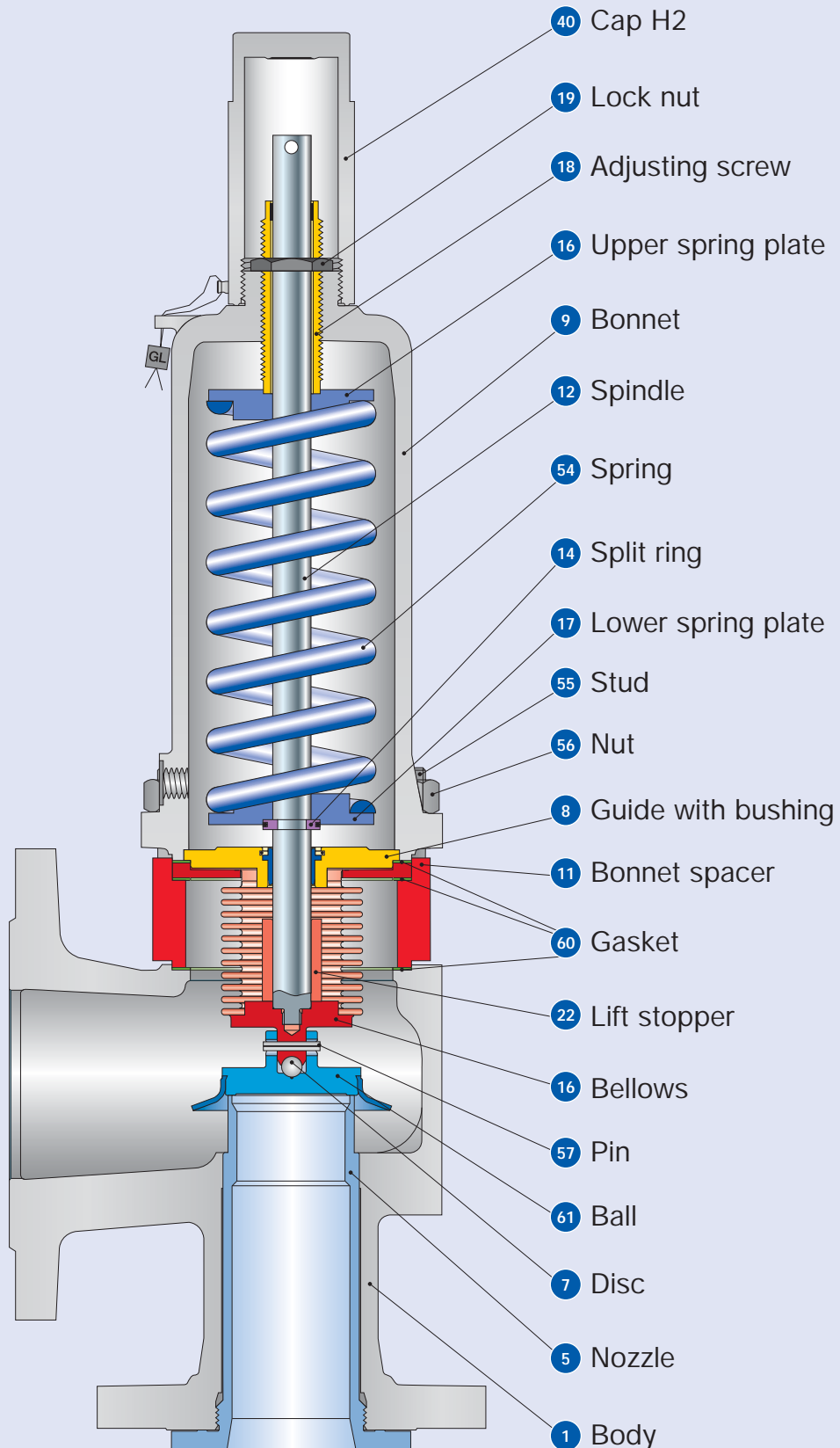
Please notice:

- Modifications reserved by LESER.
- LESER can upgrade materials without notice.
- Every part can be replaced by other material acc. to customer specification.

Type 441, 442 Full nozzle ANSI **LESER**

Balanced bellows design

Type 441, 442 Full nozzle ANSI



Type 441, 442 Full nozzle ANSI **LESER**

Balanced bellows design

| Materials | | Type 4412 / 4422 Full nozzle ANSI | Type 4414 Full nozzle ANSI |
|-----------|------------------------------------|---|---|
| 1 | Body | 1.0619 SA 216 WCB | 1.4408 SA 351 CF8M |
| 5 | Nozzle | 1.4404 316L | 1.4404 316L |
| 7 | Disc | 1.4122 Hardened stainless steel | 1.4404 316L |
| 8 | Guide with bushing | 1.0501/0.7040 Chrome or carbon steel | 1.4404 316L |
| | | 1.4104 tenifer Chrome steel | - - |
| | | 0.7040, 0.7043, 1.0619 Ductile Gr. 60-40-18, SA 216 WCB | 1.4408 or 1.4571 SA 351 CF8M or SA 479 316Ti |
| 11 | Bonnet spacer | 1.0460 Carbon steel | 1.4404 316L |
| 12 | Spindle | 1.4404 316L | 1.4404 316L |
| 14 | Split ring | 1.4104 Chrome steel | 1.4404 316L |
| 15 | Bellows | 1.4571 316 Ti | 1.4571 316 Ti |
| 16 / 17 | Spring plate | 1.0718 Steel | 1.4404 316L |
| 18 | Adjusting screw with bushing | 1.4104 PTFE Chrome steel PTFE | 1.4404 PTFE 316L PTFE |
| | | 1.0718 Steel | 1.4404 316L |
| 22 | Lift stopper | 1.4404 316L | 1.4404 316L |
| 40 | Cap H2 | 1.0718 12L13 | 1.4404 316L |
| | | 1.1200, 1.8159, 1.7102 Carbon steel | 1.4310 Stainless steel |
| 54 | Spring standard Spring optional | 1.4310 Stainless steel | - - |
| | | 1.1181 Steel | 1.4401 B8M |
| 55 | Stud | 1.0501 2H | 1.4401 8M |
| 56 | Nut | 1.4310 Stainless steel | 1.4310 Stainless steel |
| 57 | Pin | 1.4310 Stainless steel | 1.4310 Stainless steel |
| | | Graphite / 1.4401 Graphite / 316 | Graphite / 1.4401 Graphite / 316 |
| 60 | Gasket | 1.3541 Hardened stainless steel | 1.4401 316 |
| 61 | Ball | | |

Please notice:

- Modifications reserved by LESER.
- LESER can upgrade materials without notice.
- Every part can be replaced by other material acc. to customer specification.

Type 441, 442 Full nozzle ANSI