



# PowerDyne<sup>®</sup> STEAM TRAP

## MODEL HR260A

### SUPERCRITICAL SERVICE THERMODYNAMIC DISC TRAP

#### Features

**Air-jacketed disc trap for supercritical service in high pressure steam mains and turbines.**

1. Inline replaceable valve module for ease of maintenance and low cost of repair.
2. Lapped disc provides steam-tight seal.
3. Air jacket reduces radiant heat loss to reduce no-load cycling and so extend life.
4. Built-in screen with large surface area for extended trouble-free operation.
5. Hardened working surfaces guarantee long service life.
6. Approved by major power plants worldwide for supercritical steam use.

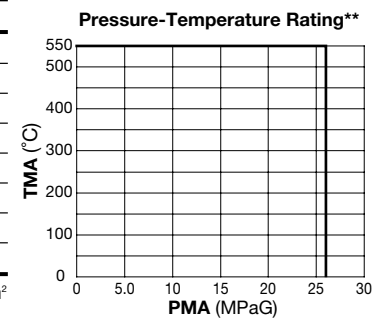


#### Specifications

Model	HR260A	
Connection	Socket Welded	
Size(mm)	15, 20, 25	
Maximum Operating Pressure (MPaG)	PMO	26
Minimum Operating Pressure (MPaG)		1.6
Maximum Operating Temperature (°C)	TMO	550
Maximum Allowable Pressure (MPaG)	PMA*	26 @ 550 °C
Maximum Allowable Temperature (°C)	TMA*	550 @ 26 MPaG
Maximum Back Pressure	50% of Inlet Pressure	

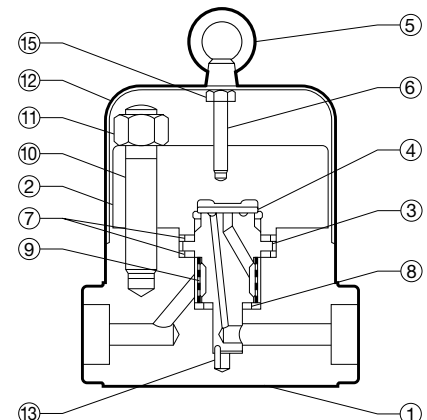
\* PRESSURE SHELL DESIGN CONDITIONS (NOT OPERATING CONDITIONS) 1 MPa = 10.197 kg/cm<sup>2</sup>

\*\* This Rating Graph is based on Allowable Stress Values of ASTM-Materials at each temperature.



To avoid abnormal operation, accidents or serious injury, DO NOT use this product outside of the specification range. Local regulations may restrict the use of this product to below the conditions quoted.

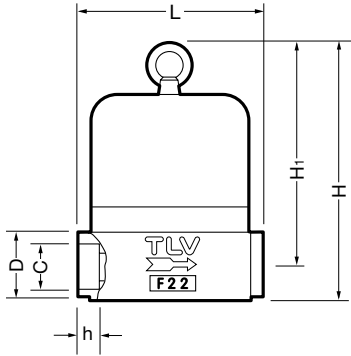
No.	Description	Material	JIS	ASTM/AISI*
①	Body	Alloy Steel	—	A182 F22 Cl.3
		Alloy Steel (9%Cr - 1%Mo)**	—	A182 F91
② <sup>R</sup>	Cover	Stainless Steel	SUS420J2	AISI420
③ <sup>R</sup>	Module Valve Seat	Stainless Steel	SUS440C	AISI440C
④ <sup>R</sup>	Disc	Stainless Steel	SUS440C	AISI440C
⑤	Eye Nut	Carbon Steel	SS400	A6
⑥	Spacer	Carbon Steel	SS400	A6
⑦ <sup>MR</sup>	Module Gasket	Graphite/Stainless Steel	- /SUS309S+Cb	- /AISI309S+Cb
⑧ <sup>MR</sup>	Module Gasket	Graphite/Stainless Steel	- /SUS309S+Cb	- /AISI309S+Cb
⑨ <sup>R</sup>	Screen inside/outside	Stainless Steel	SUS430/304	AISI430/304
⑩	Body Bolt	Alloy Steel	SNB16	A193 Gr.B16
⑪	Cover Nut	Alloy Steel	SNB7	A193 Gr.B7
⑫	Cap	Carbon Steel	SPCC	A109
⑬ <sup>R</sup>	Guide Pin	Stainless Steel	SUS304	AISI304
⑭	Nameplate***	Stainless Steel	SUS304	AISI304
⑮	Hexagon Nut	Carbon Steel	SS400	A6



\* Equivalent \*\* Option \*\*\* Not shown  
Replacement kits available: (M) maintenance parts, (R) repair parts

**Dimensions**

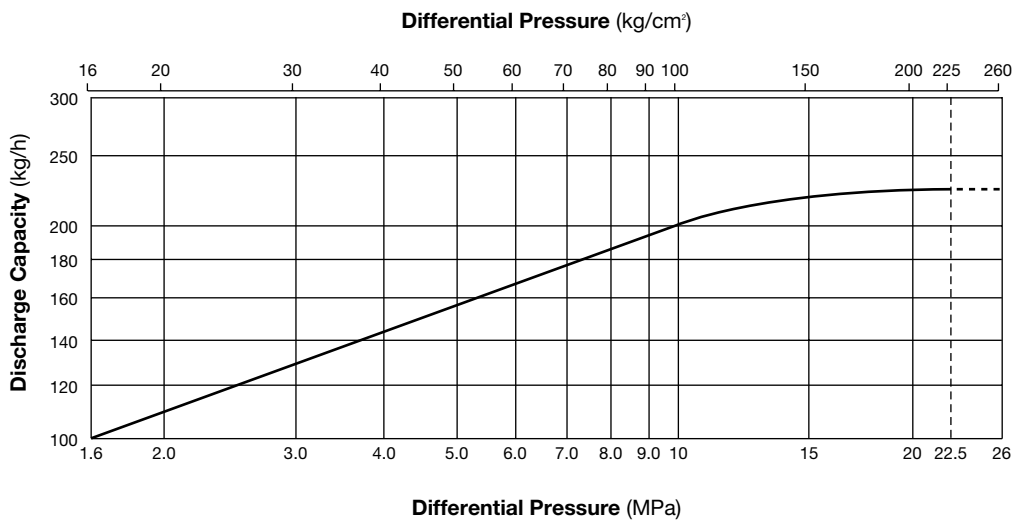
●**HR260A** Socket Welded



**HR260A** Socket Welded (mm)

Size	L	H	H <sub>1</sub>	φD	φC	h	Weight (kg)
15	160	208	179	53.5	22.2	14	18
20					27.7		
25					34.5		

**Discharge Capacity**



1. Differential pressure is the difference between the inlet and outlet pressure of the trap.
2. Recommended safety factor: at least 2.

Manufacturer

ISO 9001/ISO 14001

**TLV**® CO., LTD.  
Kakogawa, Japan  
is approved by LRQA Ltd. to ISO 9001/14001

