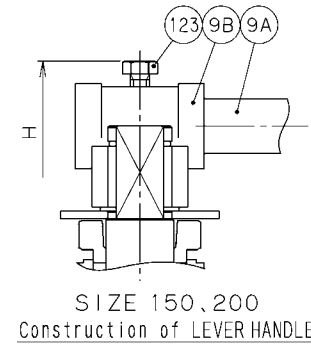
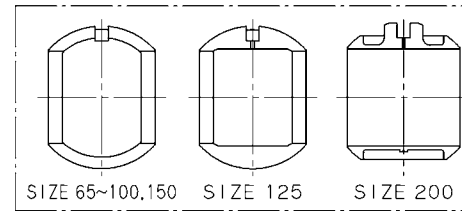


SIZE 15~32  
Construction of  
GLAND PACKING



SIZE 150,200  
Construction of LEVER HANDLE



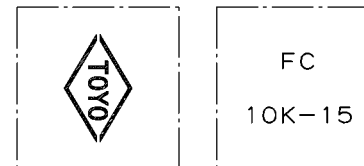
Construction of BALL

BOLT DIA...G  
NUMBER...N

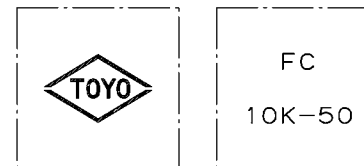
DIMENSIONS

UNIT: mm

SIZE	d	H	L	W	FLANGE							MASS (Kg)	Q'ty
					D	C	N	h	G	T			
15	15	102	110	130	95	70	4	15	M12	16	2.6		
20	20	105	120	130	100	75	4	15	M12	18	3.2		
25	25	124	130	160	125	90	4	19	M16	18	5.0		
32	32	130	140	160	135	100	4	19	M16	20	6.7		
40	40	115	165	230	140	105	4	19	M16	20	8.0		
50	50	120	180	230	155	120	4	19	M16	20	10.3		
65	65	155	190	400	175	140	4	19	M16	22	16.3		
80	80	165	200	400	185	150	8	19	M16	22	19.2		
100	100	200	230	460	210	175	8	19	M16	24	29.4		
125	125	220	300	460	250	210	8	23	M20	24	44.0		
150	150	295	340	1000	280	240	8	23	M20	26	65.6		
200	200	355	450	1500	330	290	12	23	M20	26	111.0		



SIZE 15~40



SIZE 50~200  
BODY MARKING

123	BOLT	SS400	SIZE 150,200	ZINC PLATED
49	STOPPER	SUS430		
48	SNAP RING	SK5		
47	THRUST WASHER	R-PTFE		
36	GLAND BOLT	SCM435		
35	CAP BOLT	SS400		ZINC PLATED
33	NUT	SS400		ZINC PLATED
30	BALL SEAT	PTFE		
20	PACKING WASHER	SUS304	SIZE 15~32	
19	GASKET	PTFE		
9B	HANDLE HEAD	FCD400	SIZE 150,200	
9A	HANDLE BAR	SGP	SIZE 150,200	
9	LEVER HANDLE	FCD400	SIZE 15~125	
8	GLAND PACKING	PTFE		
7	GLAND FLANGE	FCD-S		
4	BALL	SUS304	SIZE 15~50	
		SUS304TP	SIZE 65~100,150	
		SCS13A	SIZE 125,200	
3	STEM	SUS403		
2	CAP	FC200		
1	BODY	FC200		
No.	PART	MATERIAL	NOTE	

FACE TO FACE OR END TO END  
MAKER'S STANDARD  
END CONNECTION  
JIS B2239 10K  
WALL THICKNESS  
MAKER'S STANDARD  
PRESSURE TEST  
MAKER'S STANDARD

10K  
GRAY CAST IRON  
FLANGED BALL VALVE  
FULL BORE, FLOATING BALL

APP'D	A.Tsushima	FIGURE	FIG.No.		
CHK'D	H.Komatsu	10-FBF-N-L	470L		
CHK'D		DRAWING No.	△		
PREP'D	K.Matuki	17240000 △	MARK	DATE	BY
DATE	NOV.17.'09				



**Toyo Valve Co., Ltd.**