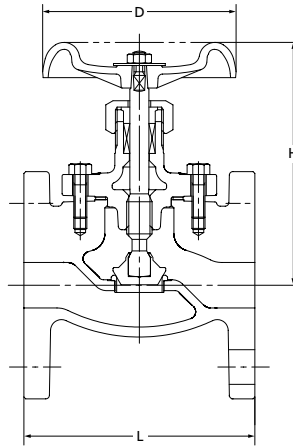


10K Globe Valve

10SPBAF

B.B.I.S.
FF-flanged



F-F dimension : JIS B 2051
End flanges : JIS B 2239 10K

120°C Static water.....1.4MPa
220°C Steam, air, gas, oil.....1.2MPa
300°C Steam, air, gas, oil.....1.0MPa

● Use for lubricating or hydraulic oil is acceptable. Contact KITZ Corporation for technical advice, if valves are used as heat transfer media.

Materials

| Parts | JIS material |
|----------------|----------------------|
| Body | FCD-5 |
| Bonnet | FCD-5 |
| Stem | SUS420J2 |
| Disc | SUS403 |
| Body seat ring | SUS403 |
| Gland | SUS403 |
| Gland packing | Non-asbestos Packing |
| Packing nut | FCD-5 |
| Handwheel | FCD450 |
| Wheel nut | SS400 |
| Bonnet bolt | Carbon Steel |
| Gasket | Non-asbestos Sheet |
| Name plate | A1050P |

Dimensions

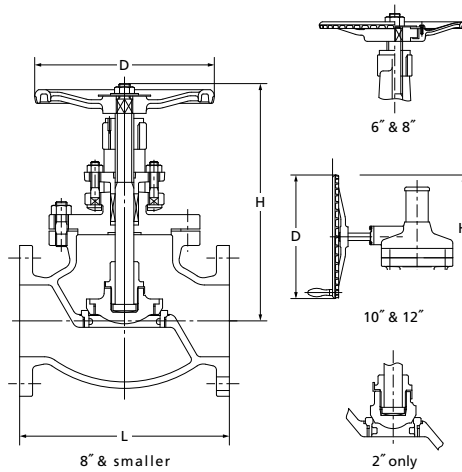
| Size | mm | 15 | 20 | 25 | 32 | 40 | 50 | mm |
|----------|------|-------|-----|-----|-------|-------|-------|----|
| | inch | 1/2 | 3/4 | 1 | 1 1/4 | 1 1/2 | 2 | |
| L | | 108 | 117 | 127 | 140 | 165 | 203 | |
| H (open) | | 123.5 | 124 | 146 | 161.5 | 179 | 197.5 | |
| D | | 80 | 80 | 100 | 115 | 115 | 135 | |

NOTE : For flange dimensions, refer to Page 40. ※RF-flanged ends shall be optionally available.

10K Globe Valve

10SPBOF

B.B.O.S.Y.
FF-flanged



F-F dimension : JIS B 2002
End flanges : JIS B 2239 10K

120°C Static water.....1.4MPa
220°C Steam, air, gas, oil.....1.2MPa
300°C Steam, air, gas, oil.....1.0MPa

● Use for lubricating or hydraulic oil is acceptable. Contact KITZ Corporation for technical advice, if valves are used as heat transfer media.

● Bolting materials will be changed for servicing high temperature exceeding 225°C. Contact KITZ Corporation for detailed information.

Materials

| Parts | JIS material |
|-----------------|---|
| Body | FCD-5 |
| Bonnet | FCD-5 |
| Stem | SUS403 |
| Disc | FCD-5 (2" : SUS403) |
| Disc seat ring | SUS403 |
| Body seat ring | SUS403 |
| Lock nut | FCD-5 |
| Gland | FCD-5 |
| Gland packing | Non-asbestos Packing |
| Handwheel | FCD400 |
| Wheel nut | SS400 |
| Packing washer | SUS403 |
| Bonnet bolt/nut | SS400 |
| Gland bolt/nut | SS400 |
| Gasket | Stainless Foil Inserted Flexible Graphite |
| Name plate | A1050P |
| Yoke bush | C6782BE: 2" ~ 8" |

Dimensions

| Size | mm | 50 | 65 | 80 | 100 | 125 | 150 | 200 | 250 | 300 | mm |
|----------|------|-----|-------|-----|-----|-----|-----|-----|-----|-----|----|
| | inch | 2 | 2 1/2 | 3 | 4 | 5 | 6 | 8 | 10 | 12 | |
| L | | 203 | 216 | 241 | 292 | 356 | 406 | 495 | 622 | 698 | |
| H (open) | | 302 | 317 | 356 | 377 | 460 | 524 | 585 | 880 | 943 | |
| D | | 200 | 225 | 250 | 250 | 300 | 350 | 400 | 360 | 360 | |

NOTE : For flange dimensions, refer to Page 40. ※RF-flanged ends shall be optionally available.