




SECTION 5.2_KSGE

GAUGE HATCH COVER PRESSURE RELIEF

INTRODUCTION

 **The model KSGE**, the sampling and gauging hatch Cover, is designed, manufactured and tested according to the KSPC standard code. **KSGE** is made to take the fluid samples from the storage tank, to measure the temperature, and to take test of the stored fluids.

Operating Pressure

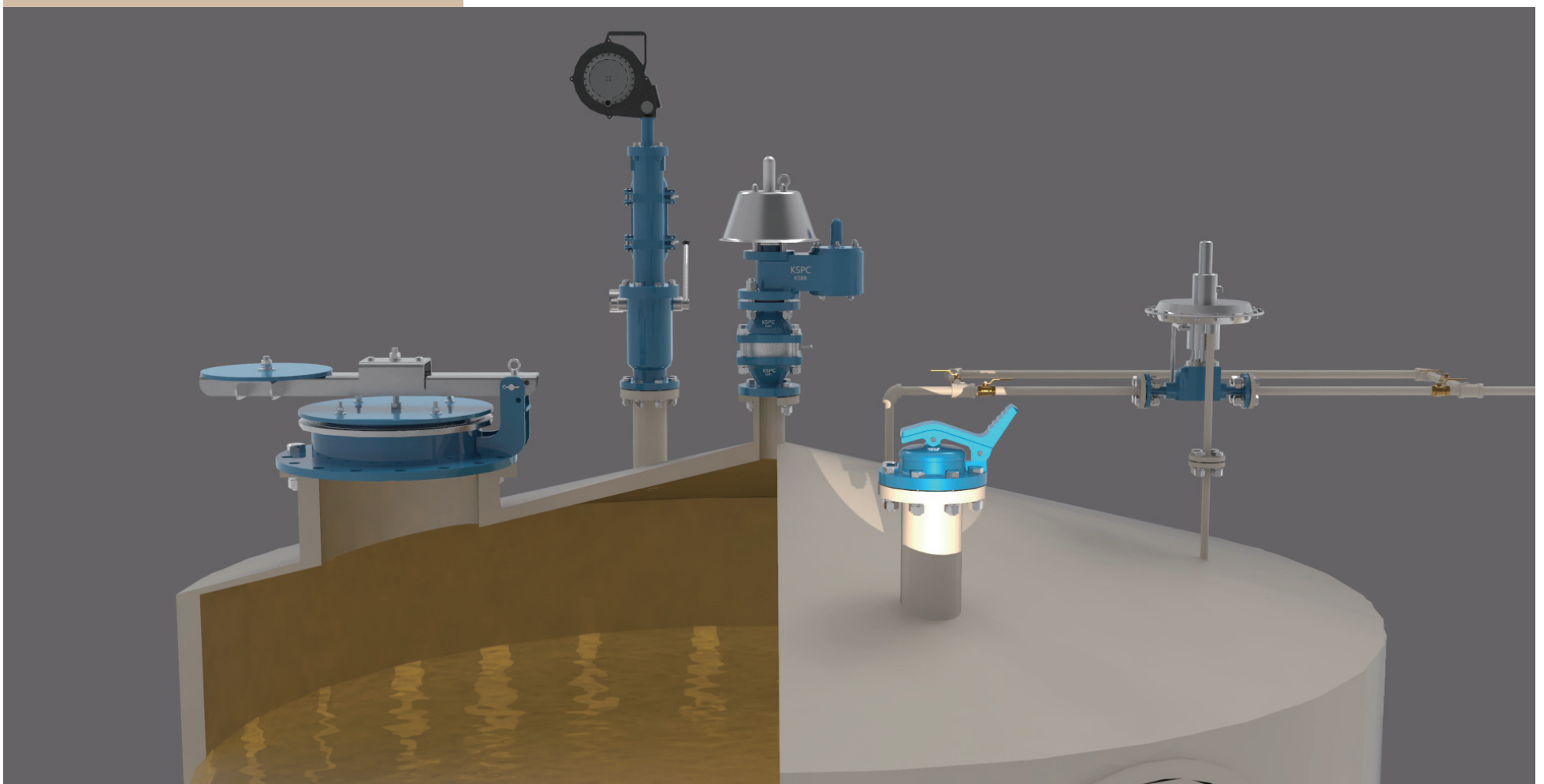
| | |
|------------|-------------------------------------|
| KSGE model | 0.01 kg/cm ² as Standard |
|------------|-------------------------------------|

 **Body Materials** Aluminium, Carbon Steel, SS304 and SS316 with various trims

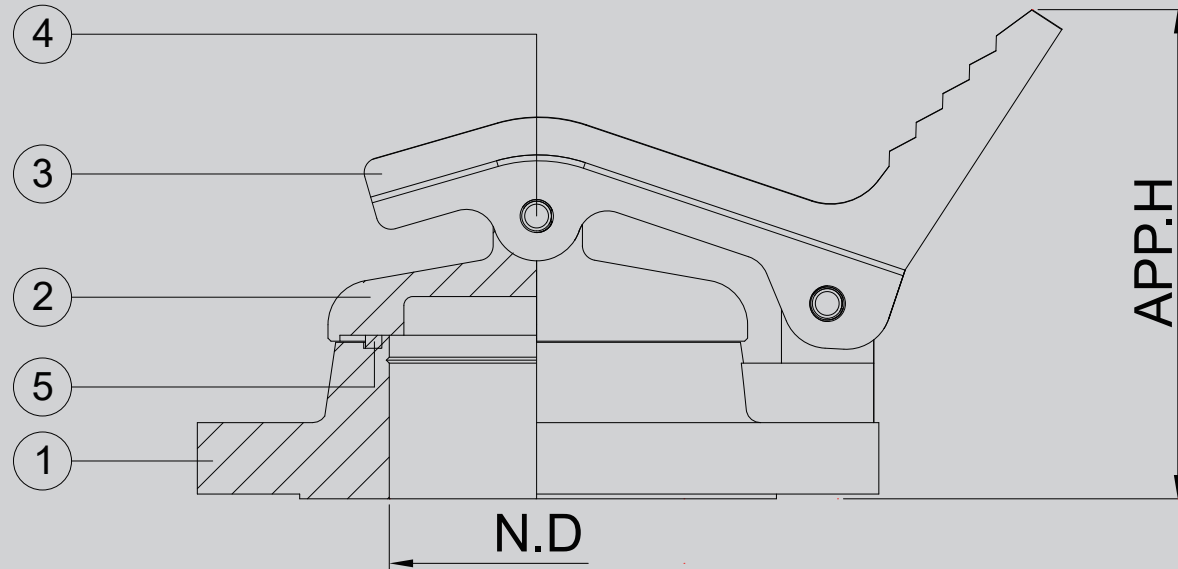
 **Sizes range** DN 80 ~ DN 300 with ASME 150Lb flanges (Other connection all available)

 **Rules & Certifications** designed, manufactured and tested according to the KSPC standard code.

APPLICATION



OUTLINE DRAWING



DIMENSION TABLE

| SIZE | 3" | 4" | 6" | 8" | 10" | 12" |
|-----------|-----|-----|-----|-----|-----|-----|
| N.D | 80 | 100 | 150 | 200 | 250 | 300 |
| O.D | 191 | 229 | 279 | 343 | 406 | 483 |
| Approx. H | 150 | 160 | 187 | 206 | 229 | 252 |

NOTE Standard Connection(ASME 150Lb flange) and JIS or different types are available upon request.

COMPONENT MATERIAL

| ITEM NO | COMPONENT | BODY | ALUMINIUM | CARBON STEEL | SS304 | SS316 |
|---------|-------------|------|-----------|--------------|----------|-----------|
| | | TRIM | SS304 | SS304 | SS304 | SS316 |
| 1 | BODY | | B26-319.F | A216-WCB | A351-CF8 | A351-CF8M |
| 2 | COVER | | B26-319.F | A216-WCB | A351-CF8 | A351-CF8M |
| 3 | PADDLE | | B26-319.F | A216-WCB | A351-CF8 | A351-CF8M |
| 4 | PIN | | SS304 | SS304 | SS304 | SS316 |
| 5 | SEAL GASKET | | TEFLON | | | |