



SECTION 4.6_KSEPR/EP

EMERGENCY RELIEF VALVE PRESSURE RELIEF

INTRODUCTION

The model KSEPR/EP is designed to provide emergency pressure relief for storage tanks when exposed to overpressures that are not handled by standard tank vents. These vents provide the capacity to meet API standard 2000 for emergency venting due to fire exposure when properly sized. These covers also provide quick easy access for tank inspection and maintenance.

Setting Pressure

KSEPR Permanent Setting	Min. 20 mmW.C ~ Max. 700 mmW.C
KSEPS Permanent Setting	Min. 70 mmW.C ~ Max. 9,000 mmW.C

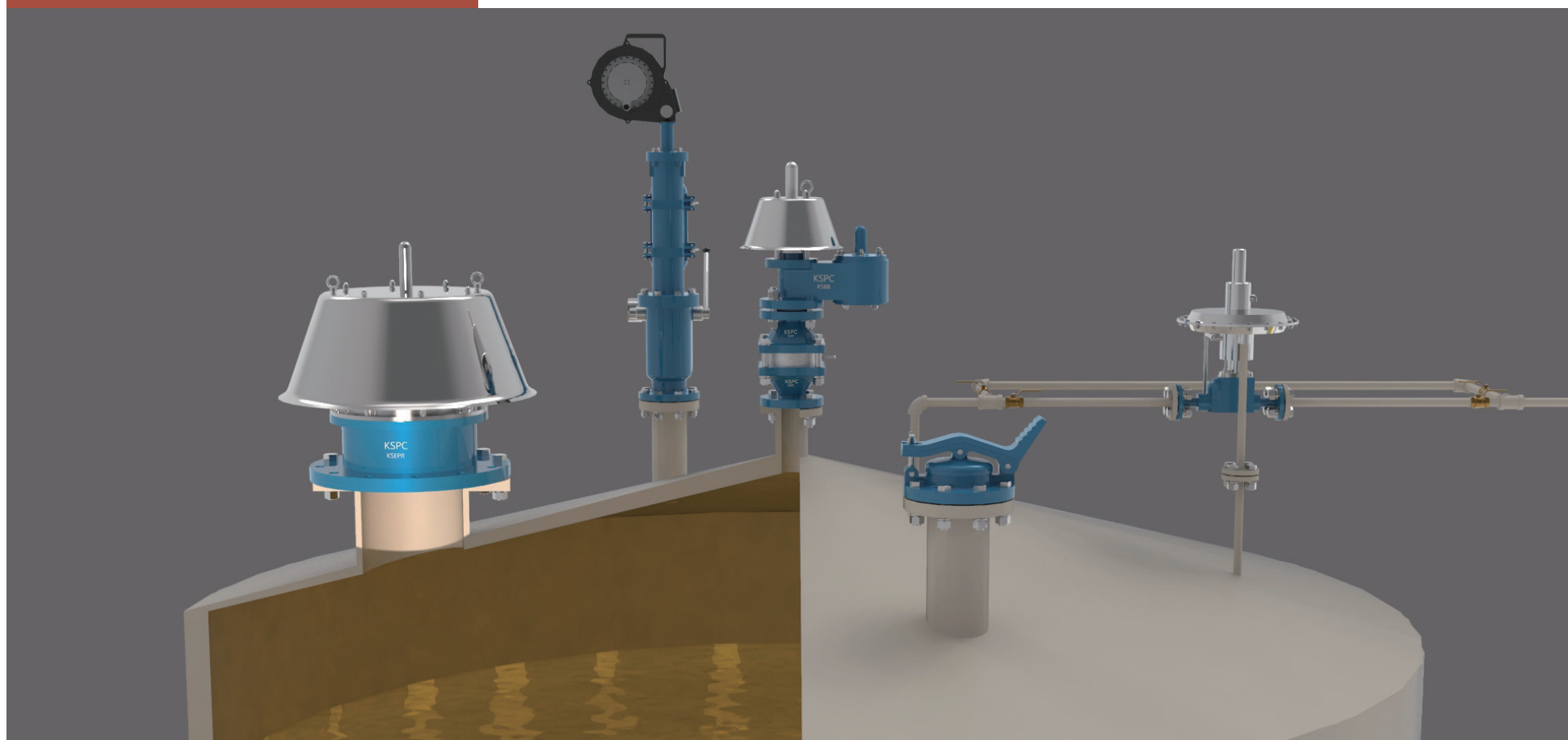
Body Materials Aluminium, Carbon Steel, SS304 and SS316 with various trims
(Different materials available on request)

Sizes range DN 50 ~ DN 300 with ASME 150Lb or API 650 flanges
(Different connections available on request)

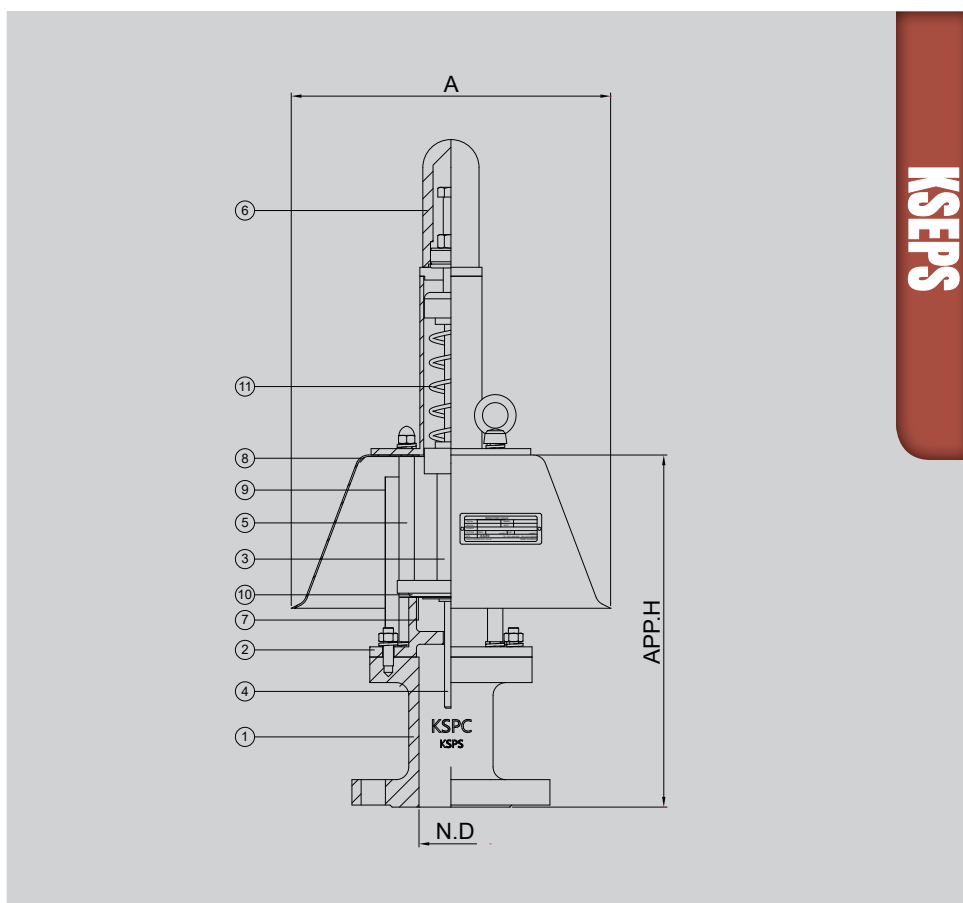
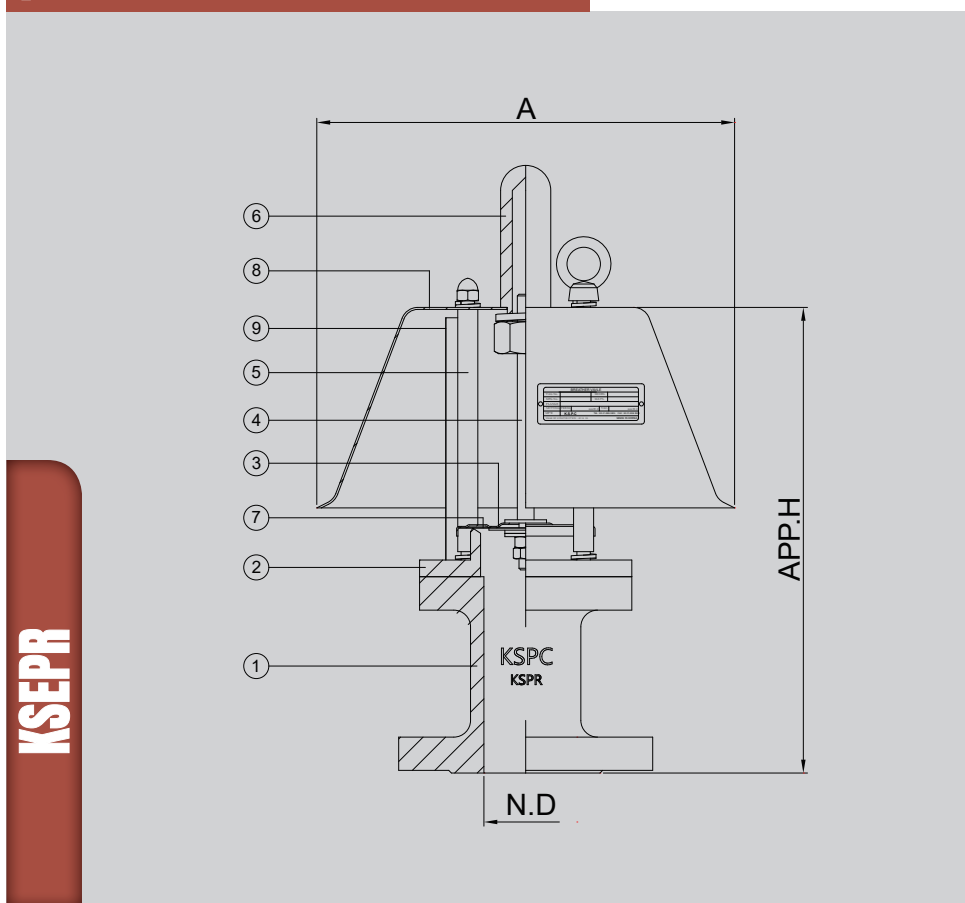
Rules & Certifications API 2000 & ATEX / KFI

Optimum / optional Design & Arrangements Stem Jacket type, Steam Tracing type, Proximity type, Teflon Coating/Lining type

APPLICATION



OUTLINE DRAWING



DIMENSION TABLE

SIZE	2"	3"	4"	6"	8"	10"	12"
N.D	50	80	100	150	200	250	300
A	250	294	324	440	476	544	620
Approx. H	270	301	344	382	401	436	473

NOTE Standard Connection(ASME 150Lb flange) and JIS or different types are available upon request.

COMPONENT MATERIAL

ITEM NO	COMPONENT	BODY	ALUMINIUM	CARBON STEEL	SS304	SS316
		TRIM	SS304	SS304	SS304	SS316/SS316L
1	BODY		B26-319.F	A216-WCB	A351-CF8	A351-CF8M
2	SEAT		B26-319.F	A351-CF8	A351-CF8	A351-CF8M
3	DISC		SS304	SS304	SS304	SS316L
4	STEM		SS304	SS304	SS304	SS316
5	GUIDE POST		SS304	SS304	SS304	SS316
6	STEM GUIDE/CAP		SS304	SS304	SS304	SS316
7	DIAPHRAGM		TEFLON			
8	WATHER HOOD		SS304	SS304	SS304	SS316L
9	BIRD SCREEN		SS304	SS304	SS304	SS316
10	O-RING		VITON			
11	SPRING		SS304	SS304	SS304	SS316

KSEPR

KSEPS

Section 4.6
KSEPR/EPS