


SECTION 4.8_KSEV

EMERGENCY RELIEF VALVE PRESSURE VACUUM RELIEF


INTRODUCTION

 **The model KSEV** is designed to provide emergency pressure vacuum relief for storage tanks when exposed to over pressures and over vacuum that are not handled by standard tank vents. These vents provide the capacity to meet API standard 2000 for emergency venting due to fire exposure when properly sized. These covers also provide quick easy access for tank inspection and maintenance.

Setting Pressure

| | |
|------------------------|---|
| KSEV Permanent Setting | Min. + 50/ - 25 mmW.C ~ Max. + 700/ - 700 mmW.C |
|------------------------|---|

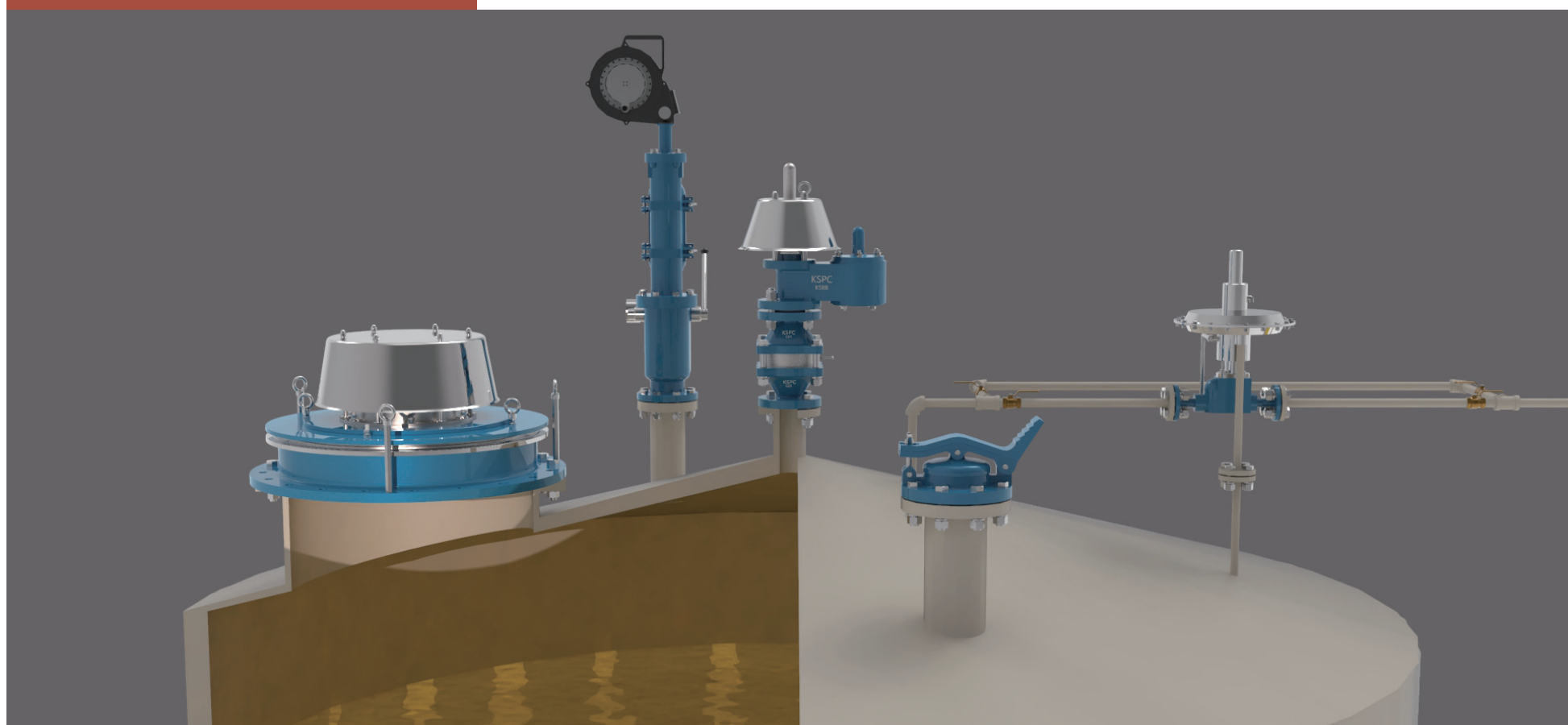
 **Body Materials** Aluminium, Carbon Steel, SS304 and SS316 with various trims
(Different materials available on request)

 **Sizes range** DN 400, 450, 500 and DN 750 with ASME 150Lb or API 650 flanges
(Different connections available on request)

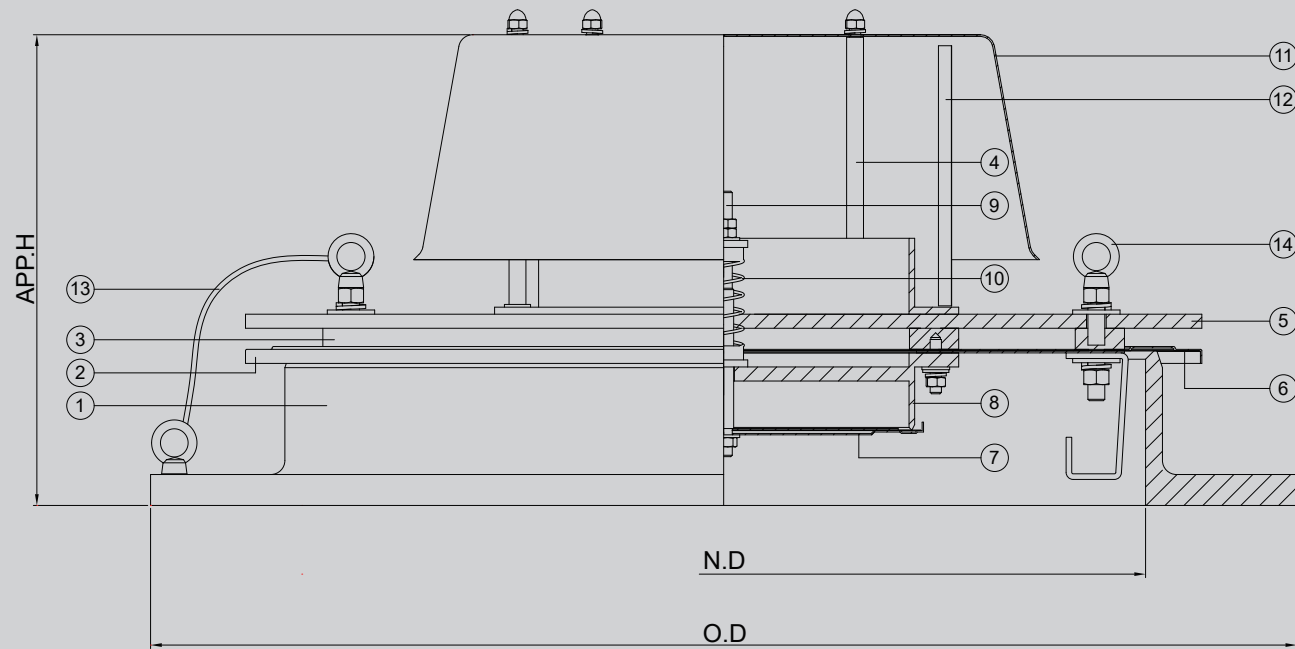
 **Rules & Certifications** API 2000 & KFI

 **Optimum / optional Design & Arrangements** Stem Jacket type, Steam Tracing type, Proximity type, Teflon Coating/Lining type

APPLICATION



OUTLINE DRAWING



DIMENSION TABLE

| SIZE | | 16" | 18" | 20" | 24" |
|-----------|-----------|-----|-----|---------|---------|
| N.D | | 400 | 450 | 500 | 600 |
| O.D | API 650 | - | - | 650/660 | 750/762 |
| | ASME 150# | 595 | 635 | 700 | 815 |
| Approx. H | MIN. | 320 | 320 | 320 | 320 |
| | MAX. | 380 | 380 | 380 | 380 |

NOTE CERTIFIED DIMENSIONS AVAILABLE UPON REQUEST (STD : API650).

COMPONENT MATERIAL

| ITEM NO | COMPONENT | BODY | ALUMINIUM | CARBON STEEL | SS304 | SS316 |
|---------|-----------------------|------|--------------|--------------|--------------|--------------|
| | | TRIM | SS304 | SS304 | SS304 | SS316L |
| 1 | BODY | | B26-319.F | A216-WCB | A351-CF8 | A351-CF8M |
| 2 | PRESSURE DISC & PLATE | | SS304 | SS304 | SS304 | SS316L |
| 3 | BASE RING | | CARBON STEEL | CARBON STEEL | SS304 | SS316/SS316L |
| 4 | GUIDE | | SS304 | SS304 | SS304 | SS316L |
| 5 | LOADING WEIGHT | | CARBON STEEL | CARBON STEEL | C.S or SS304 | C.S or SS304 |
| 6 | DIAPHRAGM | | TEFLON | | | |
| 7 | VACUUM DISC | | SS304 | SS304 | SS304 | SS316L |
| 8 | VACUUM SEAT | | SS304 | SS304 | SS304 | SS316/SS316L |
| 9 | VACUUM SPRING STEM | | SS304 | SS304 | SS304 | SS316 |
| 10 | VACUUM SPRING | | SS304 | SS304 | SS304 | SS316 |
| 11 | WEATHER HOOD | | SS304 | SS304 | SS304 | SS316L |
| 12 | BIRD SCREEN | | SS304 | SS304 | SS304 | SS316 |
| 13 | EARTH WIRE | | SS304 | | | |
| 14 | LIFTING EYE NUT | | SS304 | | | |