

SECTION 4.7_KESV

EMERGENCY RELIEF VALVE PRESSURE VACUUM RELIEF

INTRODUCTION

The model KESV is designed to provide emergency pressure vacuum relief for storage tanks when exposed to overpressures and overvacuum that are not handled by standard tank vents. These vents provide the capacity to meet API standard 2000 for emergency venting due to fire exposure when properly sized.

Setting Pressure

| | |
|------------------------|--|
| KESV Permanent Setting | Min. + 700/ - 20 mmW.C ~ Max. + 9,500/ - 700 mmW.C |
|------------------------|--|

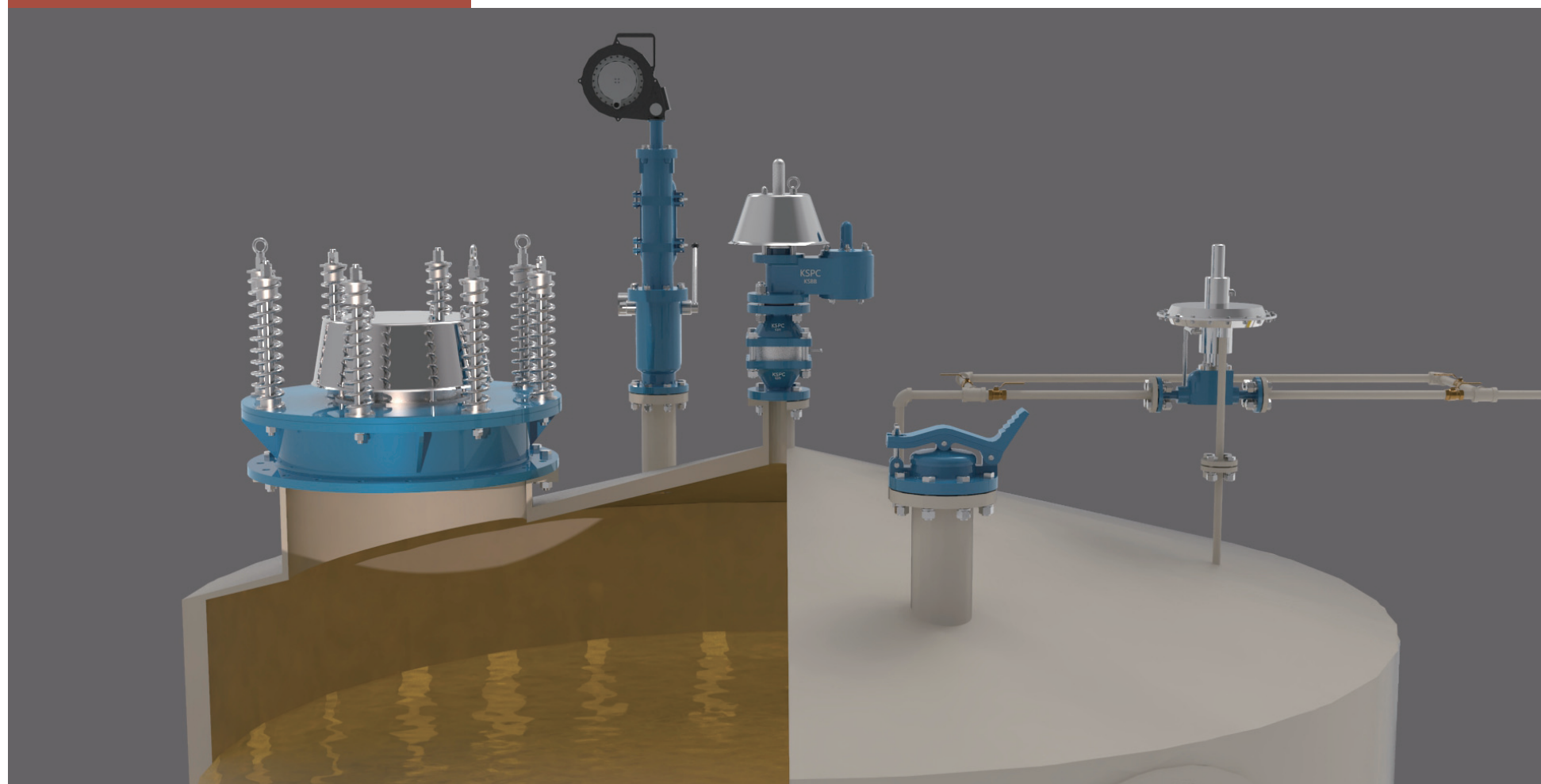
Body Materials Aluminium, Carbon Steel, SS304 and SS316 with various trims
(Different materials available on request)

Sizes range DN 400, 450, 500 and DN 750 with ASME 150Lb or API 650 flanges
(Different connections available on request)

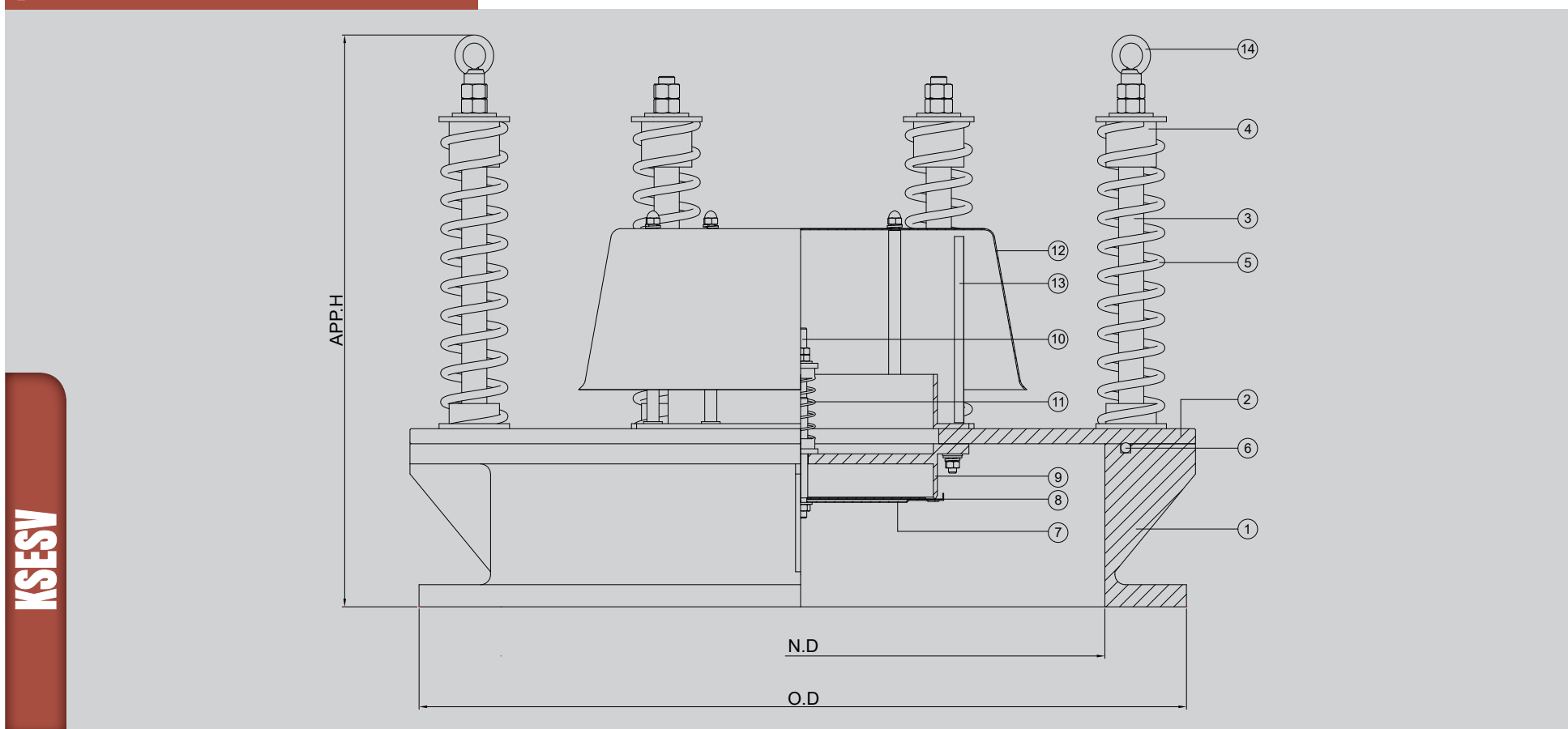
Rules & Certifications API 2000 & KFI

Optimum / optional Design & Arrangements Stem Jacket type, Steam Tracing type, Proximity type, Teflon Coating/Lining type

APPLICATION



OUTLINE DRAWING



DIMENSION TABLE

| SIZE | | 16" | 18" | 20" | 24" |
|-----------|-----------|-----|-----|---------|---------|
| N.D | | 400 | 450 | 500 | 600 |
| O.D | API 650 | - | - | 650/660 | 750/762 |
| | ASME 150# | 595 | 635 | 700 | 815 |
| Approx. H | MIN. | 530 | 530 | 530 | 530 |
| | MAX. | 590 | 590 | 590 | 590 |

NOTE CERTIFIED DIMENSIONS AVAILABLE UPON REQUEST (STD : API650).

COMPONENT MATERIAL

| ITEM NO | COMPONENT | BODY | ALUMINIUM | CARBON STEEL | SS304 | SS316 |
|---------|----------------------|------|--------------|--------------|----------|--------------|
| | | TRIM | SS304 | SS304 | SS304 | SS316/SS316L |
| 1 | BODY | | B26-319.F | A216-WCB | A351-CF8 | A351-CF8M |
| 2 | PRESSURE COVER(DISC) | | CARBON STEEL | CARBON STEEL | SS304 | SS316L |
| 3 | PRESSURE SPRING STEM | | SS304 | SS304 | SS304 | SS316 |
| 4 | PRESSURE SPRING PAD | | SS304 | SS304 | SS304 | SS316 |
| 5 | PRESSURE SPRING | | SS304 | SS304 | SS304 | SS316 |
| 6 | O-RING | | VITON | | | |
| 7 | VACUUM DISC | | SS304 | SS304 | SS304 | SS316L |
| 8 | DIAPHRAGM | | TEFLON | | | |
| 9 | VACUUM SEAT | | SS304 | SS304 | SS304 | SS316/SS316L |
| 10 | VACUUM SPRING STEM | | SS304 | SS304 | SS304 | SS316 |
| 11 | VACUUM SPRING | | SS304 | SS304 | SS304 | SS316 |
| 12 | WEATHER HOOD | | SS304 | SS304 | SS304 | SS316L |
| 13 | BIRD SCREEN | | SS304 | SS304 | SS304 | SS316 |
| 14 | LIFTING EYE NUT | | SS304 | SS304 | SS304 | SS316 |