




## SECTION 3.11\_KSFE

# FLAME ARRESTER DEFLAGRATION PROOF END-LINE

### INTRODUCTION


 **The model KSFE** flame arrester are designed, manufactured and tested according to API2000, BS7244 (British Standard Specification) and ISO 16852. The units allow free venting in combination with flame protection for vertical vent applications. They prevent flame propagation by absorbing and dissipating heat using spiral wound crimped ribbon SS316L flame cells.


### Operating Temperature @ Pressure

KSFE / DN 15 ~ DN 300

+ 90°C (=194°F) @ 0.11 Mpa

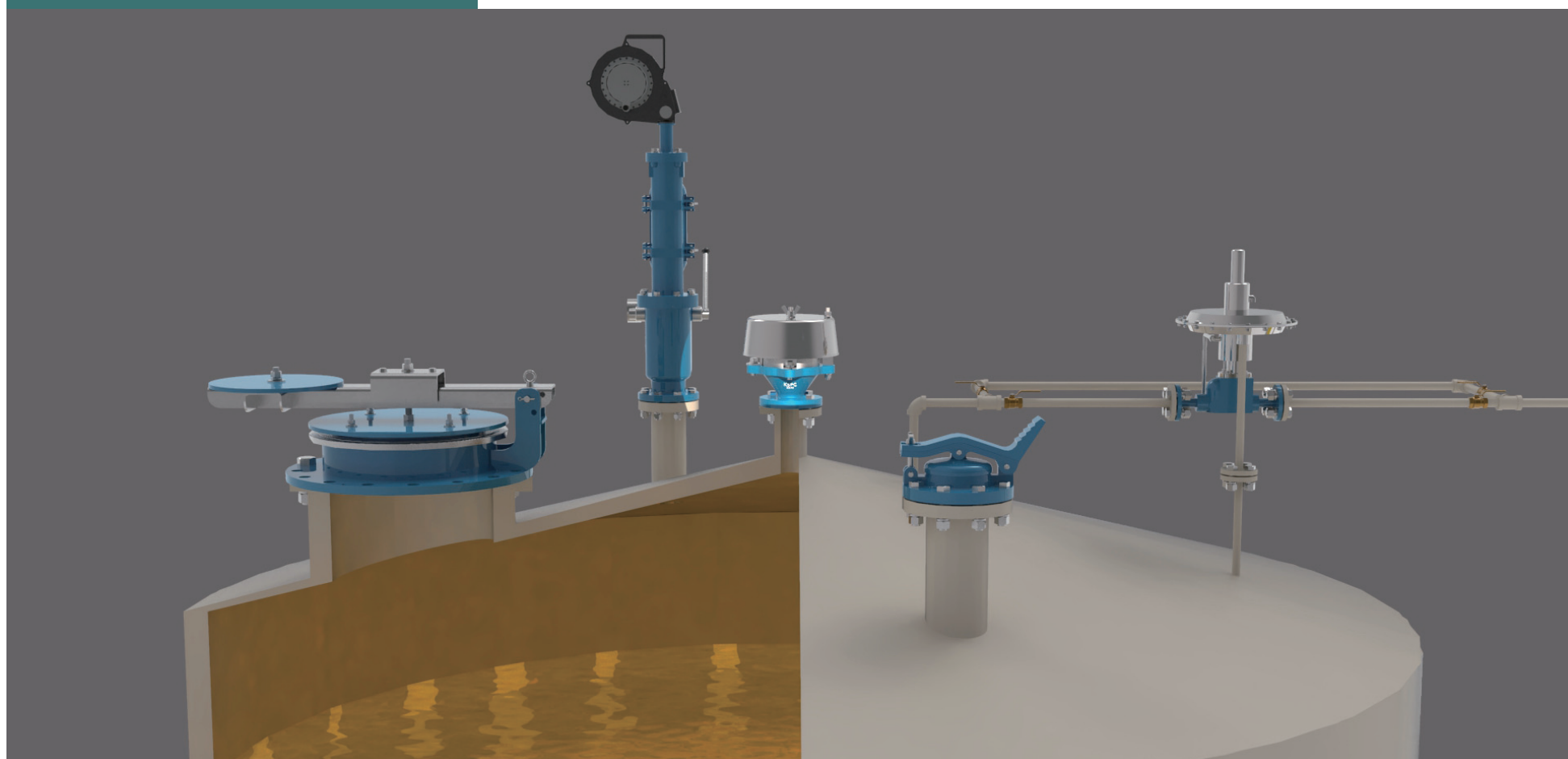
 **Body Materials** Aluminium, Nodular Iron, Cast Steel, SS304, SS316, SS316L with various trims  
(Different materials available on request)

 **Sizes range** DN 50 ~ DN 300 with ASME 150Lb flanges  
(Different connections available on request)

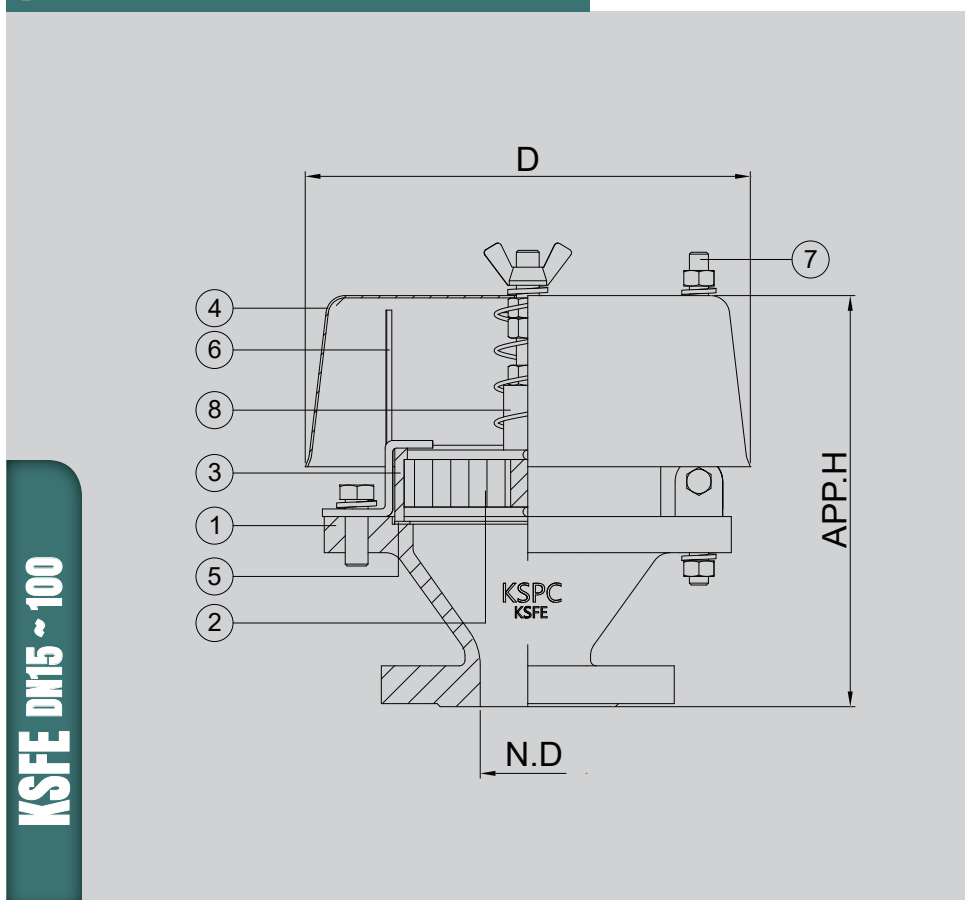
 **Rules & Certifications** API 2000, BS7244 / ISO 16852 & KFI  
Flame cell : NEC group D (=IIA), group C(=IIB3) and group B(=IIC), ETC.

 **Optimum / optional Design & Arrangements** Stem Jacket type, Steam Tracing type

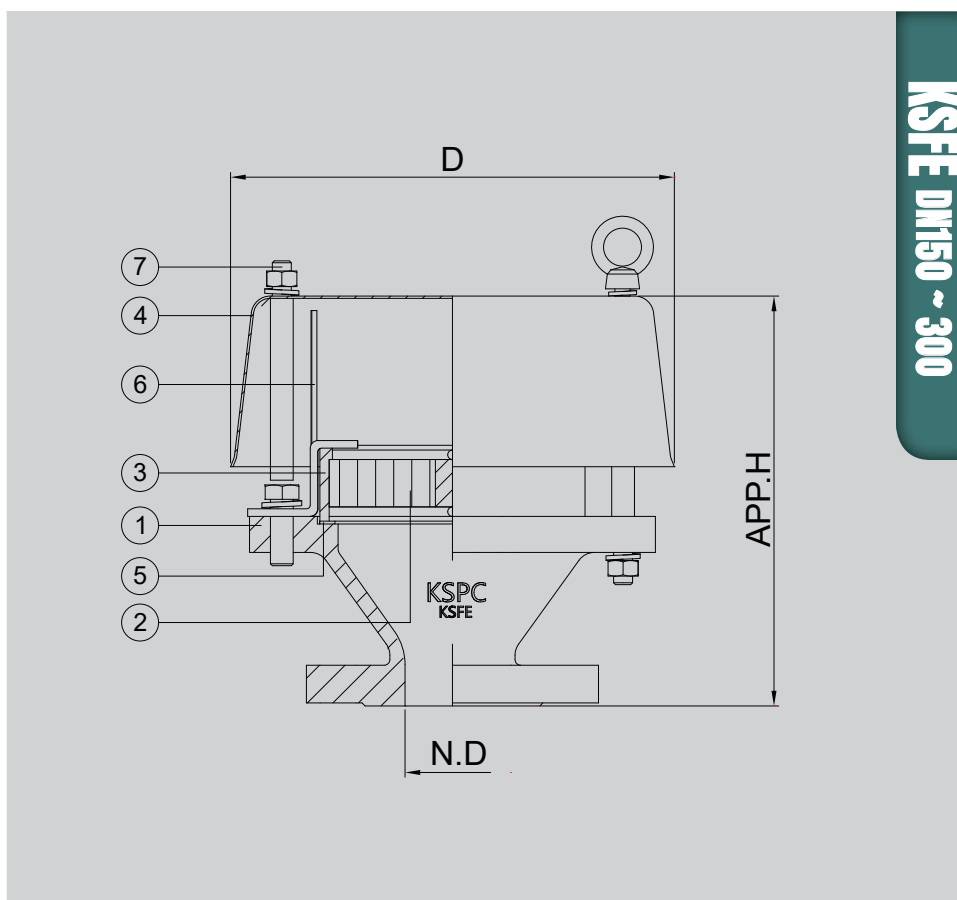
### APPLICATION



## OUTLINE DRAWING



KSF E DN15 ~ 100



KSF E DN150 ~ 300

Section 3.11  
KSF E

## DIMENSION TABLE

SIZE	2"	3"	4"	6"	8"	10"	12"
N.D	50	80	100	150	200	250	300
D	234	288	342	444	512	658	733
Approx. H	226	237	240	337	345	357	401

**NOTE** Standard Connection(ASME 150Lb flange) and JIS or different types are available upon request.

## COMPONENT MATERIAL

ITEM NO	COMPONENT	ALUMINIUM	CARBON STEEL	STAINLESS STEEL
1	BODY	B26-319.F	A216-WCB	A351-CF8/CF8M
2	ELEMENT		SS316L	
3	ELEMENT HOUSING	SS304	SS304	SS316
4	WEATHER HOOD	SS304	SS304	SS316L
5	GASKET		PTFE	
6	BIRD SCREEN	SS304	SS304	SS316
7	GUID POST	SS304	SS304	SS316
8	FUSE		LOW TEMP. METAL	

## MAINTENANCE

- ⚠ Periodic inspection and maintenance is required. The cell assembly can be removed for cleaning purposes.
- ⚠ Cleaning can be accomplished by dipping the entire cell assembly into an appropriate solvent.
- ⚠ Care should be taken not to damage the cell openings as such deformations hamper the flow through the cell.
- ⚠ The gaskets should be inspected and replaced if necessary.