




SECTION 1.5_KSPR/PS

PRESSURE RELIEF VALVE VENT TO ATMOSPHERE


INTRODUCTION

 **The model KSPR and KSPS** pressure valves are an advanced design for vent to atmosphere applications. Designed, manufactured and tested according to the API 2000 code. Utilize the latest technologies to provide protection against positive or vacuum over pressure and prevent air intake, evaporative losses of product and help to contain odorous and potentially explosive vapours.

Setting Pressure

| | |
|--------------------------|-----------------------------------|
| KSPR Weight Loaded model | Min. 20 mmW.C ~ Max. 700 mmW.C |
| KSPS Spring Loaded model | Min. 700 mmW.C ~ Max. 9,000 mmW.C |

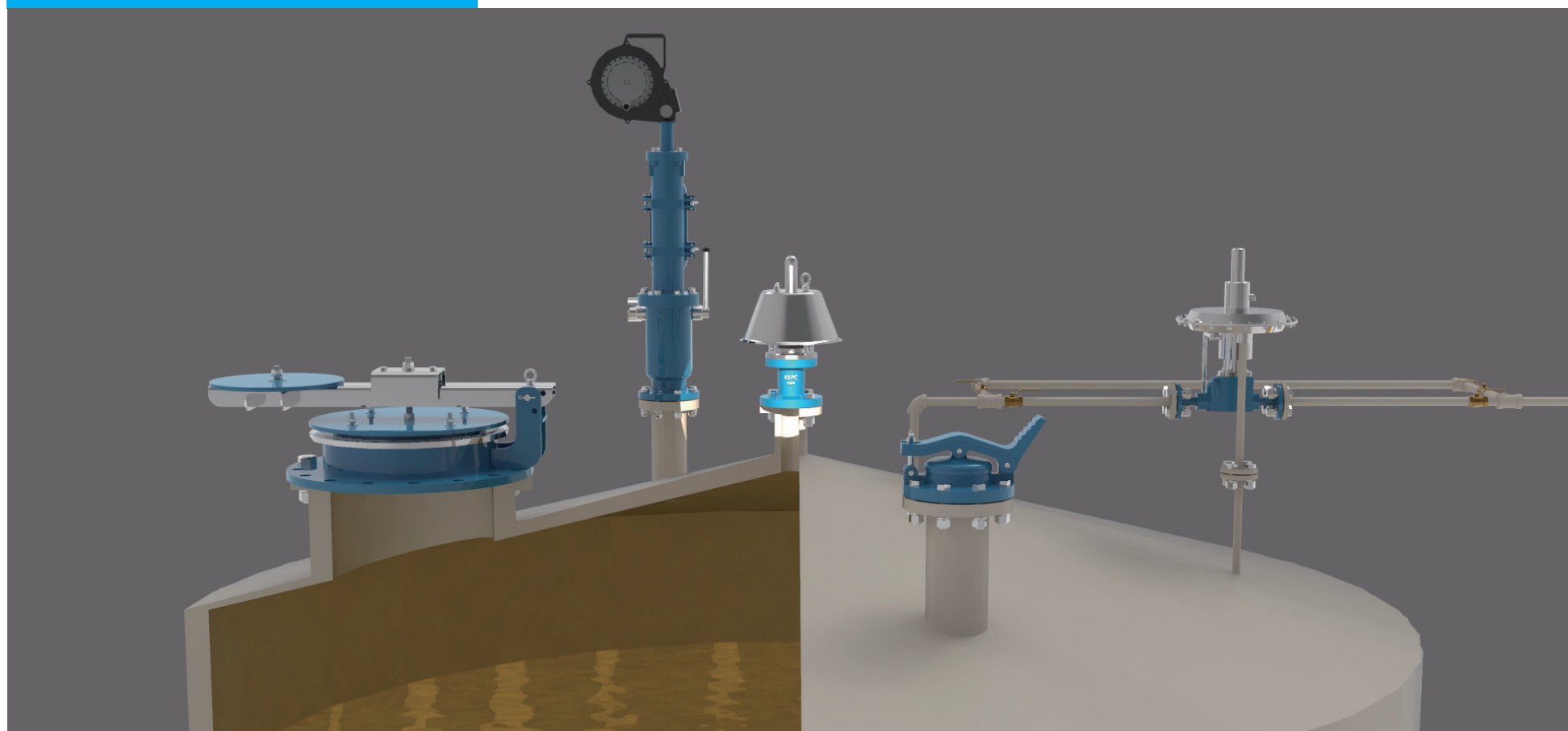
 **Body Materials** Aluminium, Carbon Steel, SS304 and SS316 with various trims
(Different materials available on request)

 **Sizes range** DN 50 ~ DN 350 with ASME 150Lb flanges as standard
(Different connections available on request)

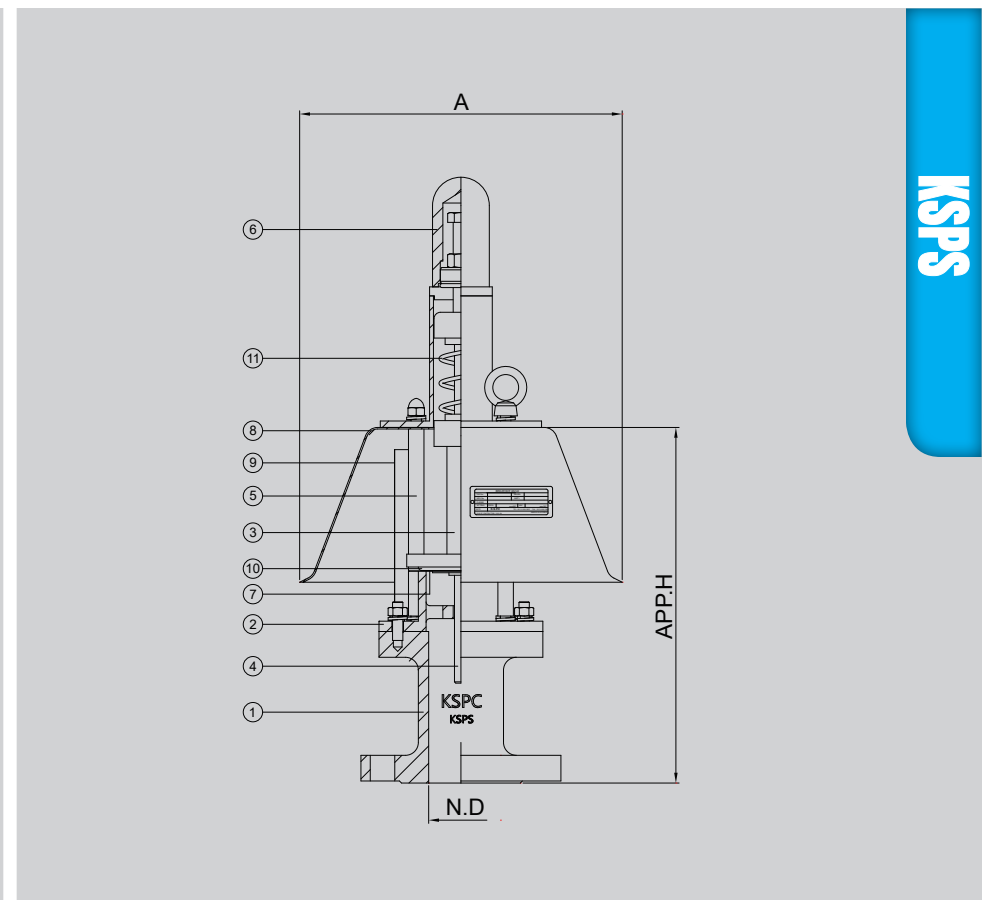
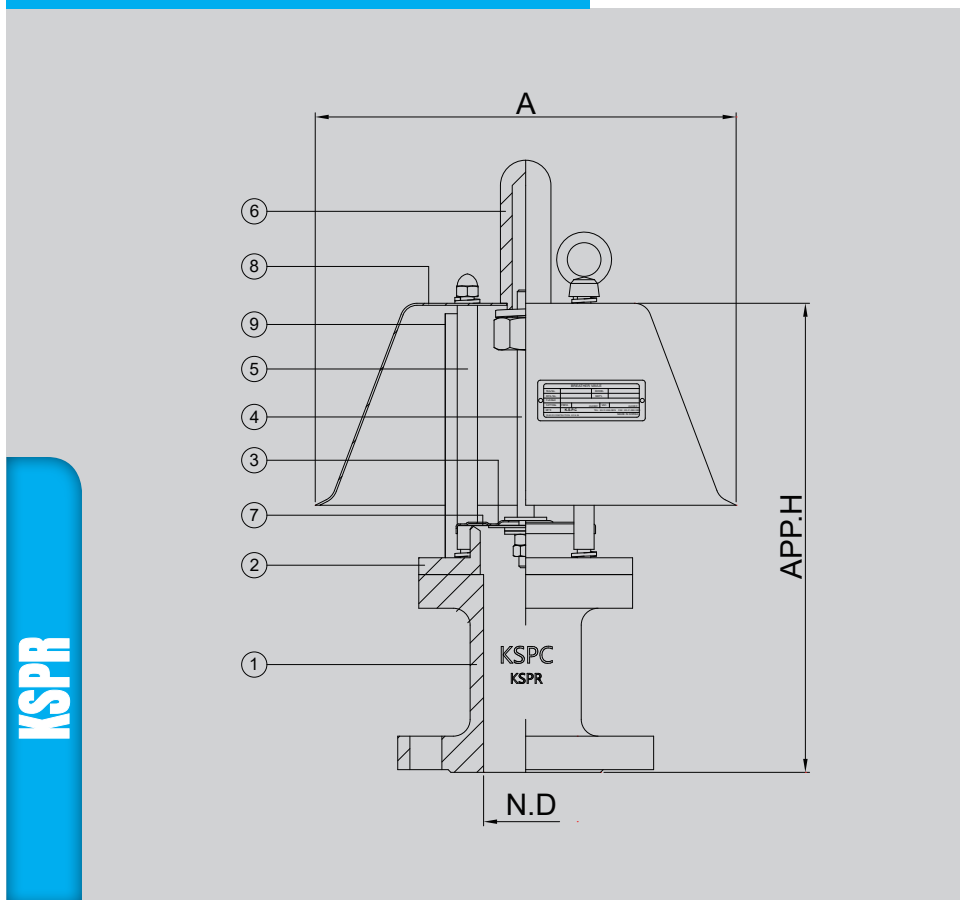
 **Rules & Certifications** API 2000 & ATEX / KFI

 **Optimum / Optional Design & Arrangements** Stem Jacket type, Steam Tracing type, Proximity type, Teflon Coating/Lining type

APPLICATION



OUTLINE DRAWING



KSPR

KSPS

Section 1.5
KSPR/PS

DIMENSION TABLE

| SIZE | 2" | 3" | 4" | 6" | 8" | 10" | 12" | 14" |
|-----------|-----|-----|-----|-----|-----|-----|-----|-----|
| N.D | 50 | 80 | 100 | 150 | 200 | 250 | 300 | 350 |
| A | 250 | 294 | 324 | 440 | 476 | 544 | 620 | 685 |
| Approx. H | 270 | 301 | 344 | 382 | 401 | 436 | 456 | 473 |

NOTE Standard Connection(ASME 150Lb flange) and JIS or different types are available upon request.

COMPONENT MATERIAL

| ITEM NO | COMPONENT | BODY | ALUMINIUM | CARBON STEEL | SS304 | SS316 |
|---------|------------------|------|-----------|--------------|----------|-----------|
| | | TRIM | SS304 | SS304 | SS304 | SS316L |
| 1 | BODY | | B26-319.F | A216-WCB | A351-CF8 | A351-CF8M |
| 2 | SEAT | | B26-319.F | A351-CF8 | A351-CF8 | A351-CF8M |
| 3 | DISC | | SS304 | SS304 | SS304 | SS316L |
| 4 | STEM | | SS304 | SS304 | SS304 | SS316 |
| 5 | GUIDE POST | | SS304 | SS304 | SS304 | SS316 |
| 6 | STEM GUIDE / CAP | | SS304 | SS304 | SS304 | SS316 |
| 7 | DIAPHRAGM | | TEFLON | | | |
| 8 | WEATHER HOOD | | SS304 | SS304 | SS304 | SS316L |
| 9 | BIRD SCREEN | | SS304 | SS304 | SS304 | SS316 |
| 10 | O-RING | | VITON | | | |
| 11 | SPRING | | SS304 | SS304 | SS304 | SS316 |