



# SECTION 1.2\_KSBG/GS

## PRESSURE VACUUM RELIEF VALVE WITH PIPE AWAY

### INTRODUCTION

**The model KSBG and KSGS** pressure vacuum valves are an advanced design for pipe away applications. Designed, manufactured and tested according to the API 2000 code, these valves utilize the latest technologies to provide protection against positive or vacuum over pressure and prevent air intake, evaporative losses of product and help to contain odorous and potentially explosive vapours.

### Setting Pressure

KSBG Weight Loaded model	Min. +/- 20 mmW.C ~ Max. + 700/- 430 mmW.C
KSGS Spring Loaded model	Min. + 700/- 430 mmW.C ~ Max. +/- 9,000 mmW.C

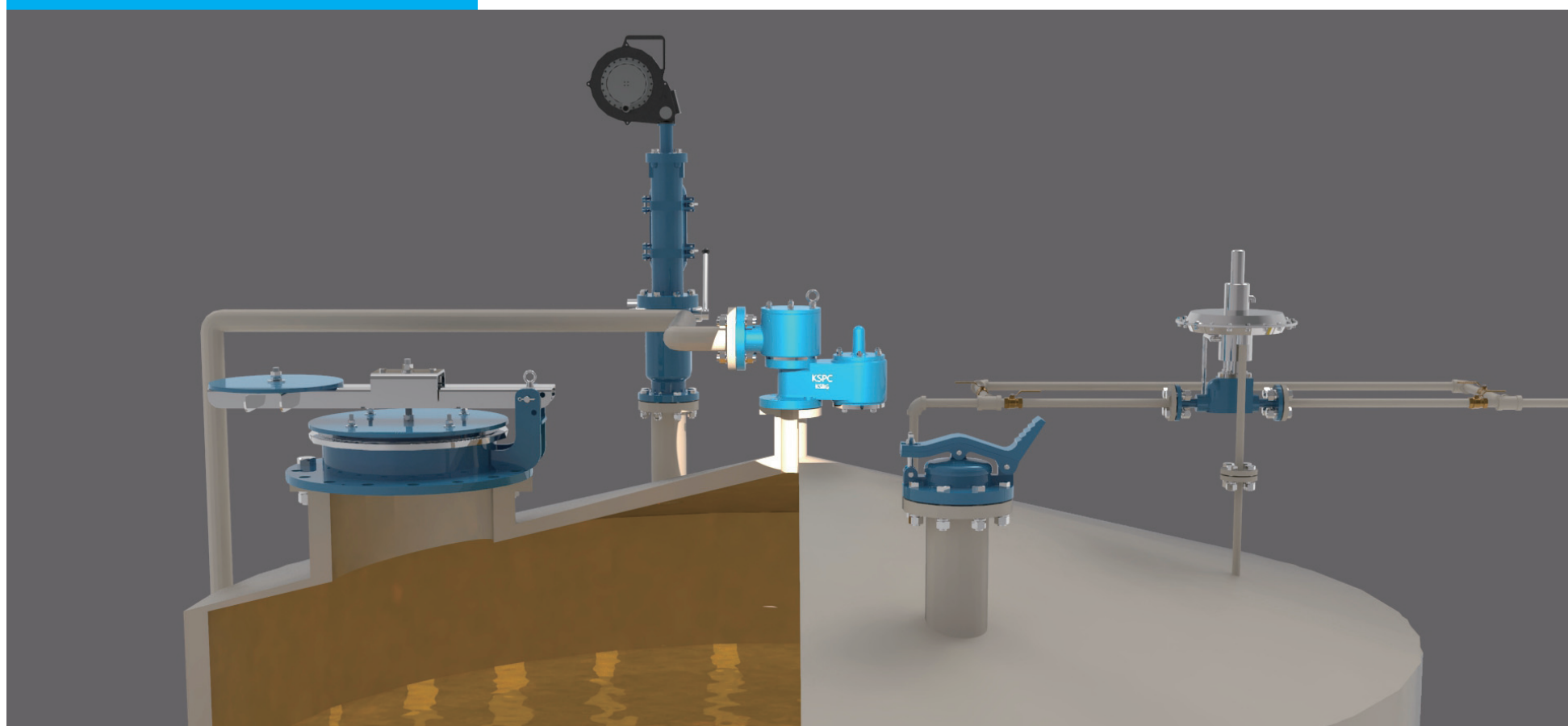
**Body Materials** Aluminium, Carbon Steel, SS304 and SS316 with various trims  
(Different materials available on request)

**Sizes range** DN 50 ~ DN 350 with ASME 150Lb flanges as standard  
(Different connections available on request)

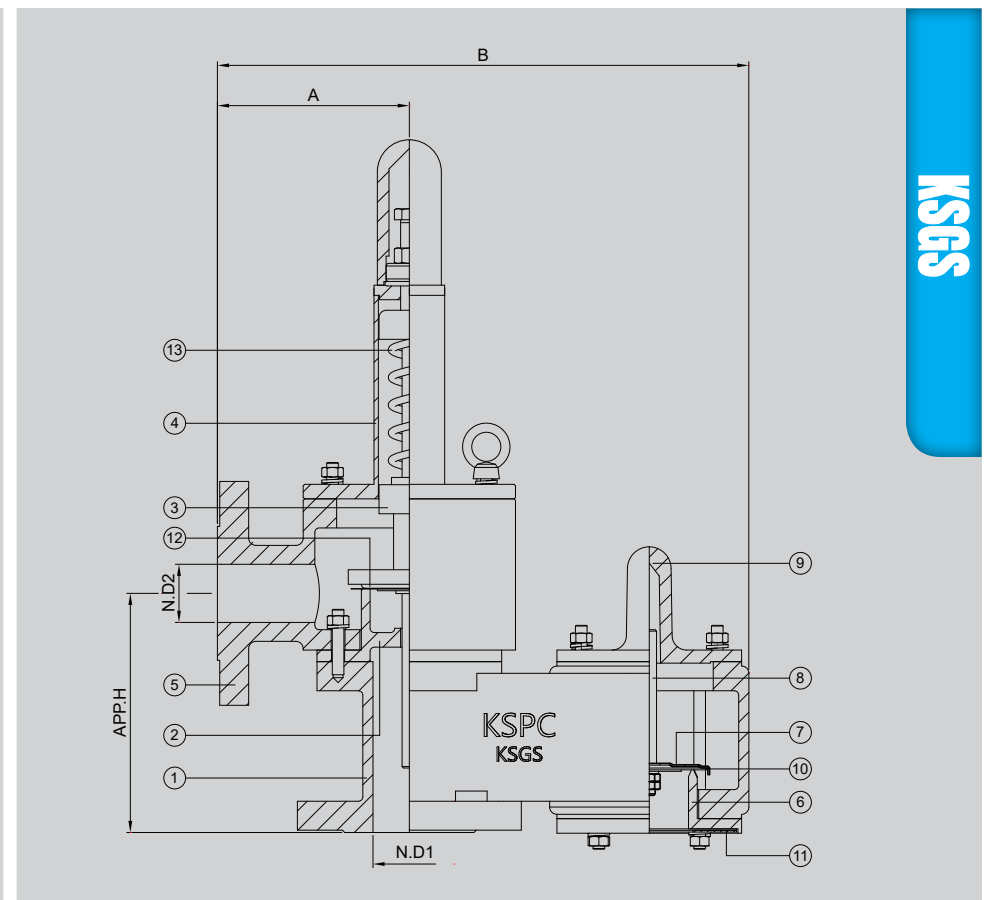
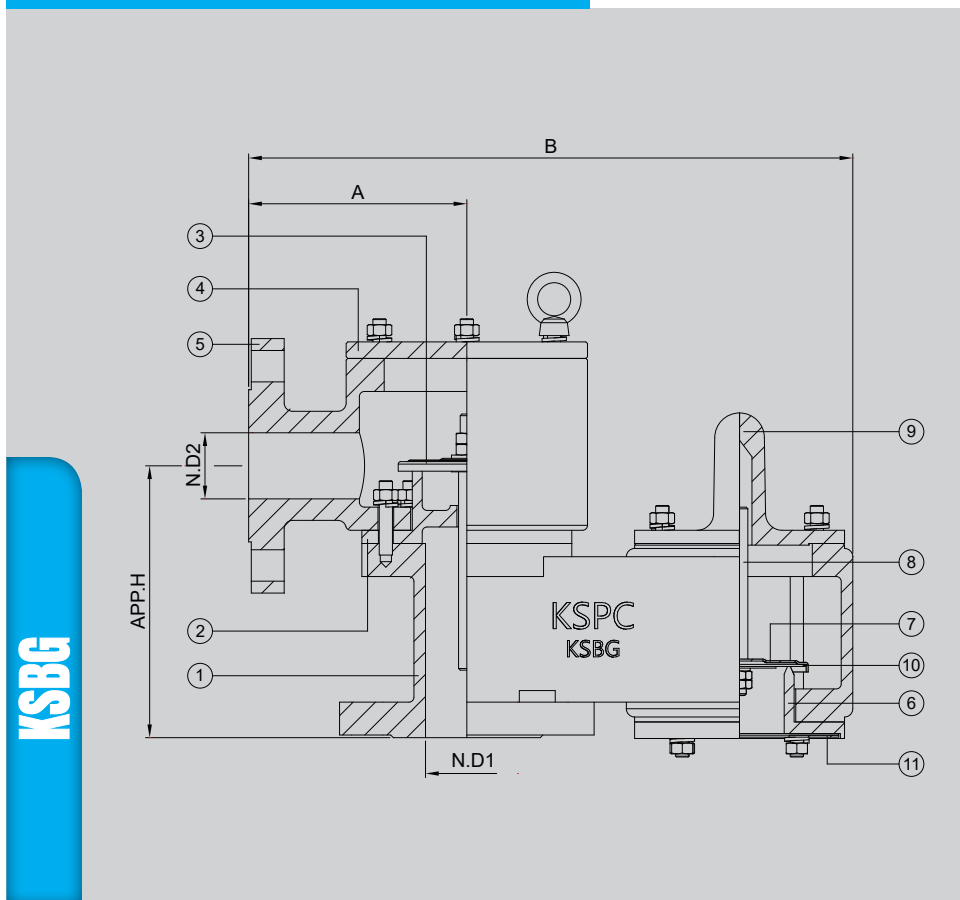
**Rules & Certifications** API 2000 & ATEX / KFI

**Optimum / Optional Design & Arrangements** Stem Jacket type, Steam Tracing type, Proximity type, Teflon Coating/Lining type

### APPLICATION



## OUTLINE DRAWING



KSGS

Section 1.2  
KSBG/GS

## DIMENSION TABLE

SIZE	2" X 2"	3" X 3"	4" X 4"	6" X 6"	8" X 8"	10" X 10"	12" X 12"	14" X 14"
N.D 1	50	80	100	150	200	250	300	350
N.D 2	50	80	100	150	200	250	300	350
A	132	171	184	223	258	279	329	415
B	366	470	507	630	762	868	997	1197
Approx. H	165	204	227	282	338	387	449	483
SIZE	2" X 3"	3" X 4"	4" X 6"	6" X 8"	8" X 10"	10" X 12"	12" X 14"	14" X 16"
N.D 1	50	80	100	150	200	250	300	350
N.D 2	80	100	150	200	250	300	350	400
A	142	172	189	228	258	290	343	420
B	376	471	512	635	762	879	1011	1211
Approx. H	186	214	252	307	363	412	474	523

**NOTE** Standard Connection(ASME 150Lb flange) and JIS or different types are available upon request.

## COMPONENT MATERIAL

ITEM NO	COMPONENT	BODY	ALUMINIUM	CARBON STEEL	SS304	SS316
		TRIM	SS304	SS304	SS304	SS316/316L
1	BODY-1		B26-319.F	A216-WCB	A351-CF8	A351-CF8M
2	PRESSURE SEAT		B26-319.F	A351-CF8	A351-CF8	A351-CF8M
3	PRESSURE DISC		SS304	SS304	SS304	SS316L
4	PESSURE COVER		ALUMINUM	CARBON STEEL	SS304	SS316L
5	BODY-2		B26-319.F	A216-WCB	A351-CF8	A351-CF8M
6	VACUUM SEAT		B26-319.F	A351-CF8	A351-CF8	A351-CF8M
7	VACUUM DISC		SS304	SS304	SS304	SS316L
8	VACUUM STEM		SS304	SS304	SS304	SS316
9	VACUUM COVER		B26-319.F	SS304	SS304	SS316L
10	DIAPHRAGM		TEFLON			
11	VACUUM SCREEN		SS304	SS304	SS304	SS316
12	O-RING		VITON			
13	SPRING		SS304	SS304	SS304	SS316