

DESCRIPTION

A range of float operated traps for draining water from compressed air lines.
Applications on aftercoolers , separators , compressed air mains.

MAIN FEATURES

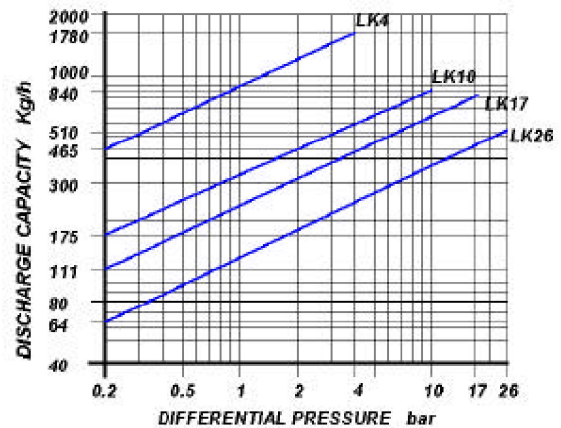
Direct-acting float valve permits continuons drainage of water under changing conditions of inlet pressure and load. Because valve is under water during operation , air leakage is eliminated. Properly located it will assure a supply of dry compressed air.



OPERATION

Water entering the trap lifts the float and opens the discharge valve. This adjusts the valve opening so that there is a continuons flow of water through the trap. There are no pressure fluctuations as the trap opens and closes.

DISCHARGE CAPACITY



Safety factor = 1.2 – 1.5

SIZES

½" – ¾"

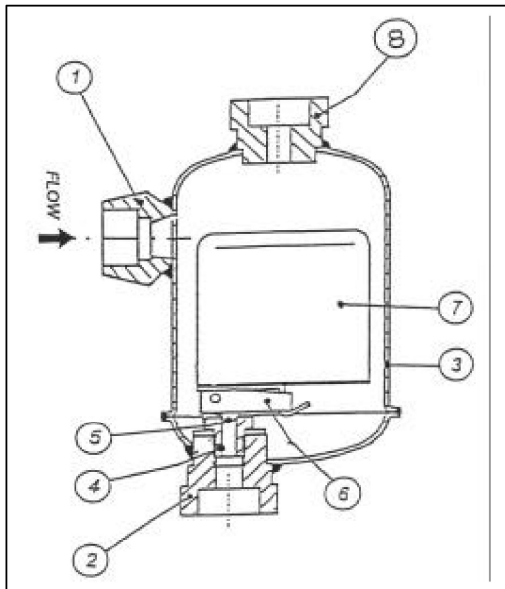
CONNECTIONS

Screwed	BS 21 (BSP) /ANSI B1.20.1 (NPT)
Socket weld	ANSI B 16.11
Flanged	ANSI B 16.5 / UNI/DIN

LIMITING CONDITIONS (according to ISO 6552)

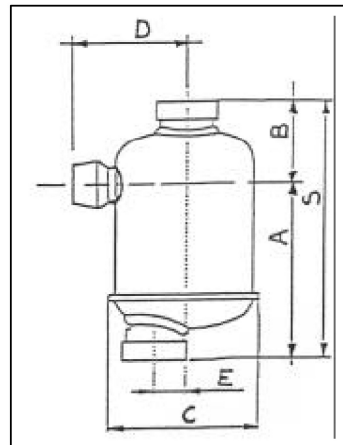
Steam Trap rating	ANSI 300
PMA: Max allowable pressure	50 bar
TMA: max allowable temperature	500°C
PMO: max working pressure	26 bar
TMO: max working temperature	380°C
Minimum liquid specific weighth	0.6 Kg/dm ³
Max. Differential pressure (LK 4)	4 bar
Max. Differential pressure (LK 10)	10 bar
Max. Differential pressure (LK 17)	17 bar
Max. Differential pressure (LK 26)	26 bar

COMPRESSED AIR BALL FLOAT TRAPS LK



POS.	DESCRIPTION	MATERIALS	SPARES
1	Inlet coupling	AISI 304	
2	Outlet coupling	AISI 304	
3	Body	AISI 304	
4	Seat	AISI 410	
5	Valve	AISI 410	
6	Lever	AISI 304	
7	Float	AISI 304	
8	Equalizing connection	AISI 304	

Size (inches)	S	A	B	C	D	E	Weight (Kg)
½"	144	89	55	76	61	16	1.2
¾"	159	97	62	76	62	16	1.4



INSTALLATION

The trap must be installed with the body upright so that the float rises and falls vertically. The inlet should be at the bottom with the trap installed above the drain point.

How to order: i.e. LK 17 ½" BSP

DOUGLAS ITALIA S.p.A Località Pradaglie – 29013 CARPANETO PIACENTINO (PC)

OFFICIAL WEB SITE: www.douglas-italia.com