

BALL FLOAT

Its operating principle is based on the different density between steam and condensate. A float through a simple lever mechanism opens or closes the valve according to the condensate level in the trap. Air discharge is ensured by a thermostatic element.



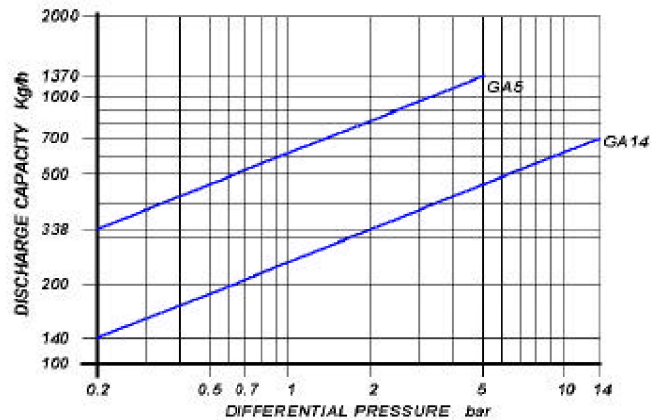
MAIN FEATURES

Continuons discharge. Discharge of condensate at steam temperature. Simple and reliable construction. It does not withstand waterhammer. Suitable on superheated steam

APPLICATIONS

- Heat exchangers
- Heater batteries
- Pans
- Drying cilinders
- Ovens

DISCHARGE CAPACITY



Cold water capacities are 2 to 4 times greater than the above .
Safety factor = 1.2 – 1.5

SIZES

½" – ¾" – 1"

CONNECTIONS

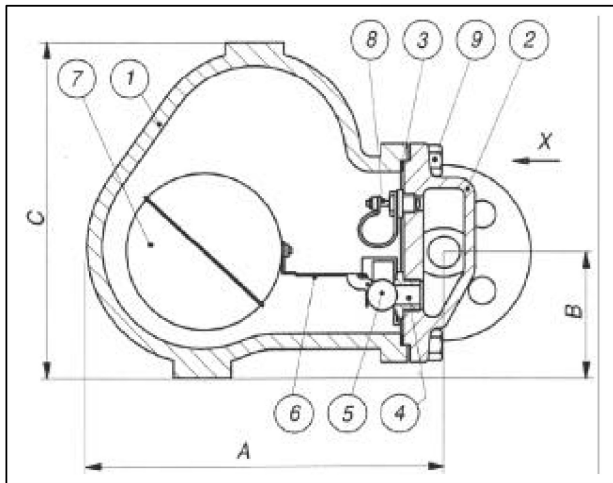
SCREWED	ANSI B1.20.1 (NPT) / BS21 (BSP)
SOCKET WELD	ANSI B16.11
FLANGED	ANSI 150#/300#/600#/UNI/DIN

LIMITING CONDITIONS (according to ISO 6552)

Steam Trap rating	ANSI 150
PMA: Max allowable pressure	20 bar
TMA: max allowable temperature	350°C
PMO: max working pressure	14 bar
TMO: max working temperature	300°C
Max. Differential pressure (GA 5)	5 bar
Max. Differential pressure (GA 14)	14 bar

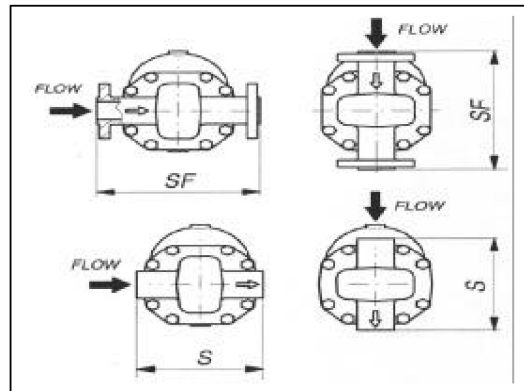
BALL FLOAT STEAM TRAPS

GA WCB



POS.	DESCRIPTION	MATERIALS	SPARES
1	Body	ASTM A216 WCB	
2	Cover	ASTM A216 WCB	
3	Gasket	316 / GRAPHITE	X
4	Seat	AISI 316	X
5	Valve	AISI 316	X
6	Lever	AISI 316	X
7	Ball float	AISI 316	X
8	Air vent	STAINLESS STEEL	X
9	Bolts	ASTM A193 B7	

Size (inches)	S	A	B	C	Weight (Kg)	Flanged							
						UNI-DIN PN16-25-40		150#		300#		600#	
						SF	Kg	SF	Kg	SF	Kg	SF	Kg
1/2"	165	213	71	180	11	211	13.3	205	13.3	211	13.5	222	14
3/4"	165	213	71	180	11	215	13.7	207	13.7	211	14.6	230	15
1"	165	213	71	180	11	215	14.5	210	14.5	214	15.2	230	15.5



INSTALLATION

The steam trap must be fitted with the float arm in a horizontal plane so that it rises and falls vertically with the flow direction indicated on the body.

HOW TO SERVICE

By installing a new mechanism assembly (4),(5),(6),if necessary also a ball float (7) and a thermostatic air vent (8), you can bring the steam trap to the "as new from factory" condition. This operation is carried out without removing the trap from the pipeline. Always fit a new gasket (3) when reassembling.

How to order: i.e. GA 14 WCB 1" 150 RF

DOUGLAS ITALIA S.p.A Località Pradaglie – 29013 CARPANETO PIACENTINO (PC)

OFFICIAL WEB SITE: www.douglas-italia.com