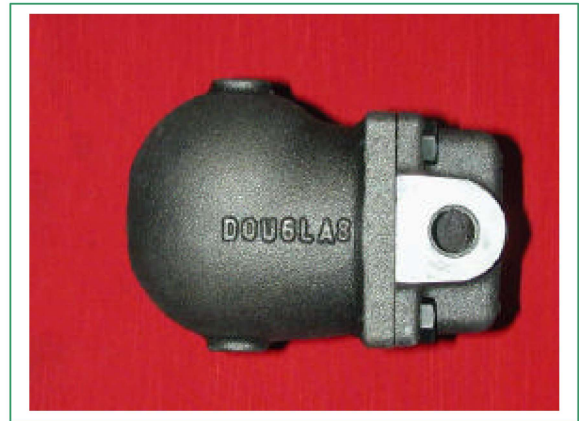


BALL FLOAT

Its operating principle is based on the different density between steam and condensate. A float through a simple lever mechanism opens or closes the valve according to the condensate level in the trap. Air discharge is ensured by a thermostatic element.



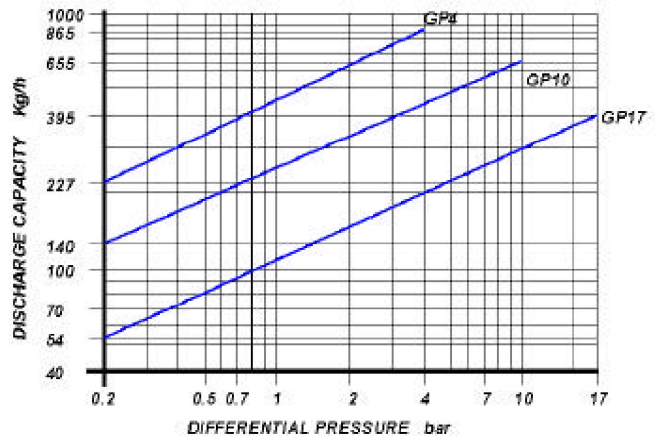
MAIN FEATURES

Continuons discharge. Discharge of condensate at steam temperature. Simple and reliable construction. It does not withstand waterhammer. Suitable on superheated steam

APPLICATIONS

- Heat exchangers
- Heater batteries
- Pans
- Drying cilinders
- Ovens

DISCHARGE CAPACITY



Cold water capacities are 2 to 4 times greater than the above .
Safety factor = 1.2 – 1.5

SIZES

½" – ¾"

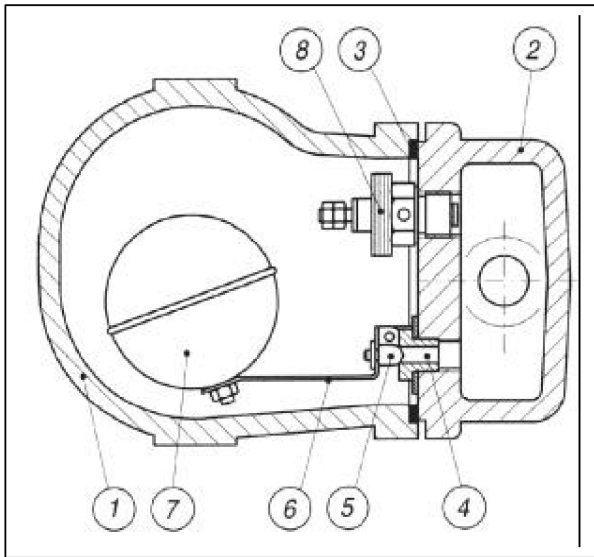
CONNECTIONS

Screwed	BS 21 (BSP)
Flanged (ON REQUEST)	ANSI B 16.5 / UNI / DIN

LIMITING CONDITIONS (according to ISO 6552)

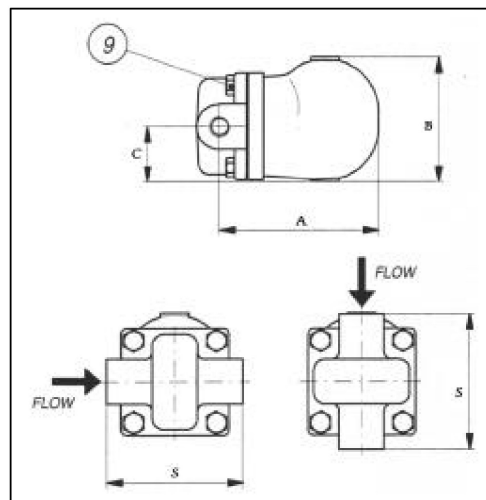
Steam Trap rating	DIN PN 25
PMA: Max allowable pressure	25 bar
TMA: max allowable temperature	300°C
PMO: max working pressure	17 bar
TMO: max working temperature	250°C
Max. Differential pressure (GP 4)	4 bar
Max. Differential pressure (GP 10)	10 bar
Max. Differential pressure (GP 17)	17 bar

BALL FLOAT STEAM TRAPS GP



POS.	DESCRIPTION	MATERIALS	SPARES
1	Body	GGG40 (DIN 1693)	
2	Cover	GGG40 (DIN 1693)	
3	Gasket	CAF	X
4	Seat	AISI 410	X
5	Valve	AISI 410	X
6	Lever	AISI 304	X
7	Ball float	AISI 304	X
8	Air vent	STAINLESS STEAL	X
9	Bolts	8.8 (UNI 3740-74)	

Size (inches)	S	A	B	C	Weight (Kg)
1/2"	120	141	110	49	4.8
3/4"	120	141	110	49	4.8



INSTALLATION

The steam trap must be fitted with the float arm in a horizontal plane so that it rises and falls vertically with the flow direction indicated on the body.

HOW TO SERVICE

By installing a new mechanism assembly (4),(5),(6), if necessary also a ball float (7) and a thermostatic air vent (8), you can bring the steam trap to the "as new from factory" condition. This operation is carried out without removing the trap from the pipeline. Always fit a new gasket (3) when reassembling.

How to order: i.e. GP 10 1/2" BSP

DOUGLAS ITALIA S.p.A Località Pradaglie – 29013 CARPANETO PIACENTINO (PC)

OFFICIAL WEB SITE: www.douglas-italia.com