



DOUGLAS ITALIA S.P.A.

BIMETALLIC THERMOSTATIC STEAM TRAPS MP

BIMETALLIC THERMOSTATIC

The operating principle is based on a balance between the steam force (pressure related) trying to open the discharge valve and the bimetal force (temperature related) which acts to close it. At saturated steam temperature the bimetal force keeps the valve closed, while with subcooled condensate the pressure opens the valve.



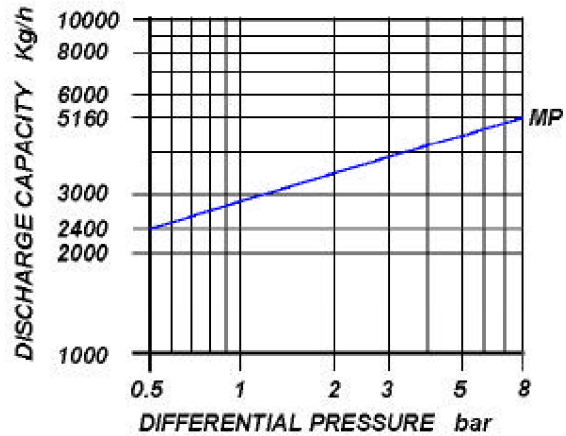
MAIN FEATURES

Free air discharge. Suitable on superheated steam. It withstands frost and waterhammer. Modulating discharge only with condensate.

APPLICATIONS

- Tracing lines
- Marine applications
- Turbines
- Steam mains
- Tanks

DISCHARGE CAPACITY



Cold water capacities are 2 to 4 times greater than the above .
Safety factor = 1.2 – 1.5

SIZES

1½" – 2"

CONNECTIONS

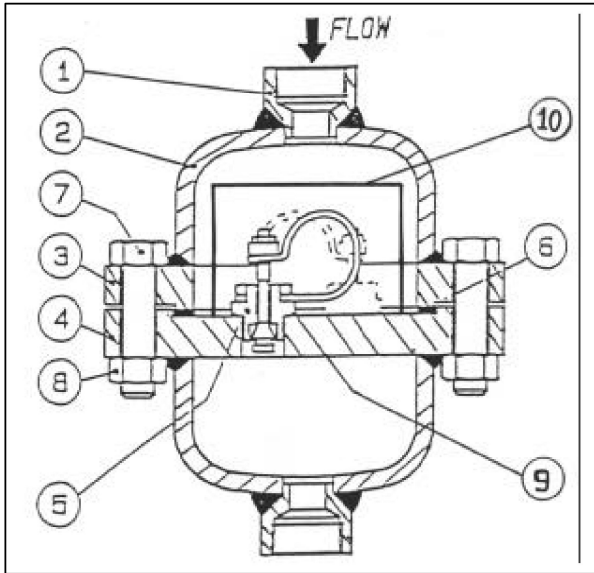
SCREWED	ANSI B1.20.1 (NPT) / BS21 (BSP)
SOCKET WELD	ANSI B16.11
FLANGED	ANSI 150#/300#/600#/UNI/DIN

LIMITING CONDITIONS (according to ISO 6552)

Steam Trap rating	ANSI 800
PMA: Max allowable pressure	136 bar
TMA: max allowable temperature	390°C
PMO: max working pressure (MP 8)	8 bar
TMO: max working temperature (MP 8)	250°C

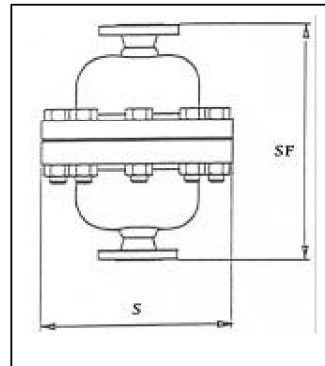
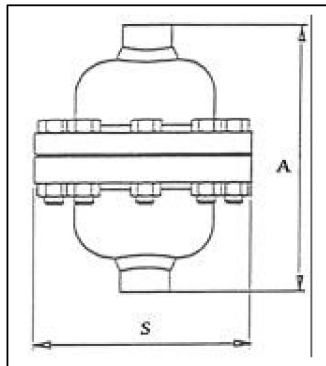
**NB: MP model are available for differential pressure up to 40 bar, size up to 8" for high capacity.
Please contact our technical departement.**

BIMETALLIC THERMOSTATIC STEAM TRAPS MP



POS.	DESCRIPTION	MATERIALS	SPARES
1	Connections	ASTM A105	
2	Caps	ASTM A106 WPB	
3	Flange	ASTM A105	
4	Flange	ASTM A105	
5	Valve assembly N° 2	STAILESS STEEL	X
6	Gasket	316 / GRAPHITE	X
7	Bolts	ASTM A193 B7	
8	Nuts	ASTM A194 2H	
9	Gasket	S.S 304	X
10	Screen	AISI 304	X

Size (inches)	Flanged										
	S	A	Weight (Kg)	UNI-DIN PN16-25-40		150#		300#		600#	
				SF	Kg	SF	Kg	SF	Kg	SF	Kg
1½"	260	315	34	350	40	350	40	350	40	350	40
2"	260	315	38	350	44	350	44	350	44	350	44



INSTALLATION

The steam trap can be installed on horizontal or vertical lines. For installation with superheated steam, please contact our Technical Department

HOW TO SERVICE

By installing a new element assembly you can bring the MP steam trap to the "as new from factory" condition. Unscrew the bolts (7) and remove cover (2), remove gasket (6) and screen (10). Unscrew and remove the element (5). Clean the inside of the trap and screw in the element-gasket assembly, clean screen (10). Fit a new gasket (6), fit screen (10) and reinstall cover (2) tightening the bolts (7). The discharge temperature may be adjusted without removing the trap from the line. For information about this operation, to be performed only by qualified personnel, please ask our Technical Department.

How to order: i.e. MP 8 2" 150 RF

DOUGLAS ITALIA S.p.A Località Pradaglie – 29013 CARPANETO PIACENTINO (PC)

OFFICIAL WEB SITE: www.douglas-italia.com