



DOUGLAS ITALIA S.P.A.

**BIMETALLIC THERMOSTATIC
STEAM TRAPS
BE 20**

BIMETALLIC THERMOSTATIC

The operating principle is based on a balance between the steam force (pressure related) trying to open the discharge valve and the bimetal force (temperature related) which acts to close it. At saturated steam temperature the bimetal force keeps the valve closed, while with subcooled condensate the pressure opens the valve.



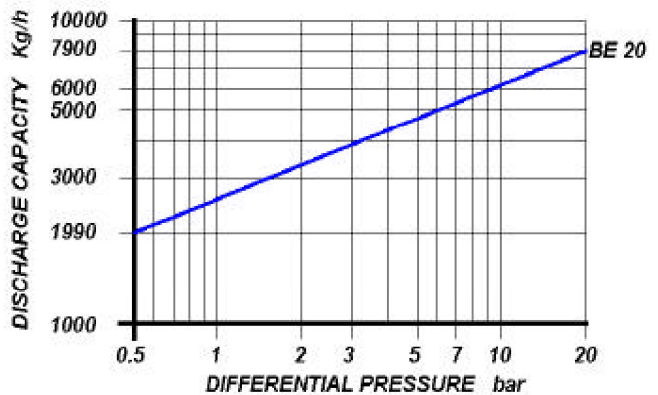
MAIN FEATURES

Free air discharge. Suitable on superheated steam. It withstands frost and waterhammer. Modulating discharge only with condensate.

APPLICATIONS

- Tracing lines
- Marine applications
- Turbines
- Steam mains
- Tanks

DISCHARGE CAPACITY



Cold water capacities are 2 to 4 times greater than the above .
Safety factor = 1.2 – 1.5

SIZES

1½" – 2"

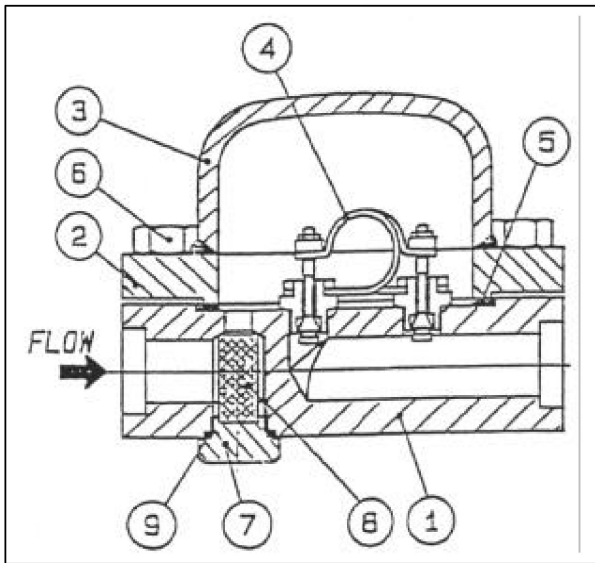
CONNECTIONS

SCREWED	ANSI B1.20.1 (NPT) / BS21 (BSP)
SOCKET WELD	ANSI B16.11

LIMITING CONDITIONS (according to ISO 6552)

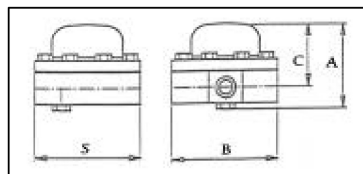
Steam Trap rating	ANSI 800
PMA: Max allowable pressure	136 bar
TMA: max allowable temperature	390°C
PMO: max working pressure (BE 20)	20 bar
TMO: max working temperature (BE 20)	275°C

BIMETALLIC THERMOSTATIC STEAM TRAPS BE 20



POS.	DESCRIPTION	MATERIALS	SPARES
1	Body	ASTM A105	
2	Cover flange	ASTM A105	
3	Cover	ASTM A106 WPB	
4	Valve assembly N.2	STAINLESS STEEL	X
5	Gasket	316 / GRAPHITE	X
6	Bolts	ASTM A193 B7	
7	Strainer cap	ASTM A105	
8	Screen	AISI 304	X
9	Gasket	316 / GRAPHITE	X

Size (inches)	S	A	B	C
1½"	248.5	205	260	155
2"	248.5	205	260	155



INSTALLATION

The steam trap can be installed on horizontal or vertical lines. Do not fit the trap upside down since this position will not allow the cleaning of the strainer. For the same reason the direction of flow on vertical lines must be downwards. For installation with superheated steam, please contact our Technical Department

HOW TO SERVICE

By installing a new element assembly you can bring the BE steam trap to the "as new from factory" condition. Unscrew the bolts (6) and remove cover (3) and gasket (5). Unscrew and remove the element (4). Clean the inside of the trap and screw in the element-gasket assembly. Fit a new gasket (5) and reinstall cover (3) tightening the bolts (6). To service the strainer, unscrew cap (7), withdraw screen (8) and clean or replace it. Screwing the cap back in place, always fit a new gasket (9). The discharge temperature may be adjusted without removing the trap from the line. For information about this operation, to be performed only by qualified personnel, please ask our Technical Department.

How to order: i.e. BE 20 2" NPT

DOUGLAS ITALIA S.p.A Località Pradaglia – 29013 CARPANETO PIACENTINO (PC)

OFFICIAL WEB SITE: www.douglas-italia.com