



DOUGLAS ITALIA S.P.A.

**BIMETALLIC THERMOSTATIC
STEAM TRAPS
BCS 8 F 316**

BIMETALLIC THERMOSTATIC

The operating principle is based on a balance between the steam force (pressure related) trying to open the discharge valve and the bimetal force (temperature related) which acts to close it. At saturated steam temperature the bimetal force keeps the valve closed, while with subcooled condensate the pressure opens the valve.



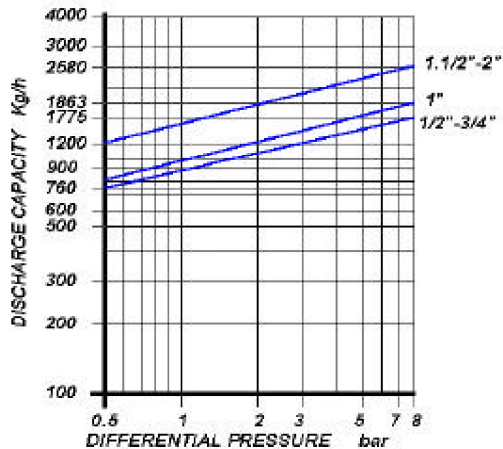
MAIN FEATURES

Free air discharge. Suitable on superheated steam. It withstands frost and waterhammer. Modulating discharge only with condensate.

APPLICATIONS

- Tracing lines
- Marine applications
- Turbines
- Steam mains
- Tanks

DISCHARGE CAPACITY



Cold water capacities are 2 to 4 times greater than the above .
Safety factor = 1.2 – 1.5

SIZES

1/2" - 3/4" - 1" - 1. 1/2" - 2"

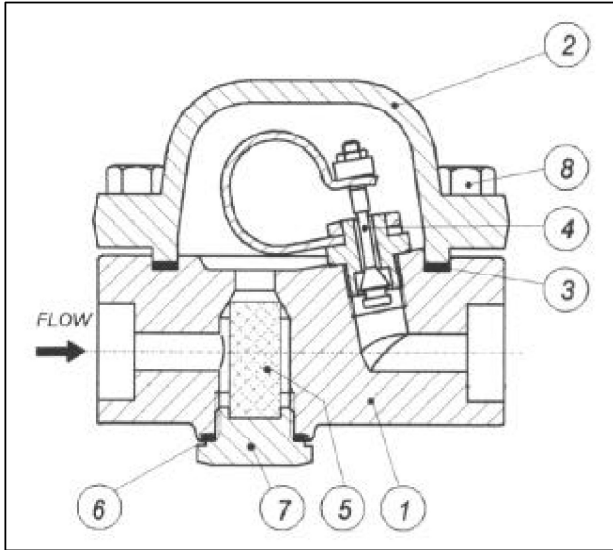
CONNECTIONS

SCREWED	ANSI B1.20.1 (NPT) / BS21 (BSP)
SOCKET WELD	ANSI B16.11
FLANGED	ANSI 150#/300#/600#/UNI/DIN

LIMITING CONDITIONS (according to ISO 6552)

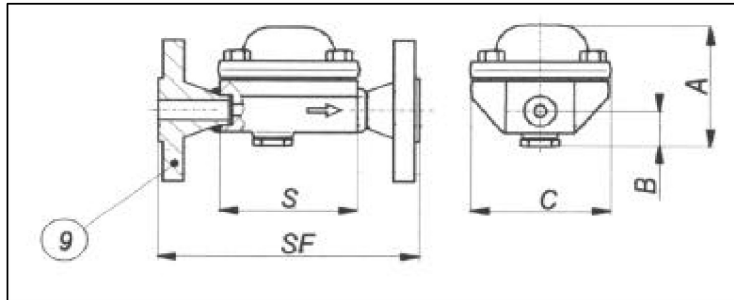
Steam Trap rating	ANSI 800
PMA: Max allowable pressure	132 bar
TMA: max allowable temperature	500°C
PMO: max working pressure	8 bar
TMO: max working temperature	250°C

BIMETALLIC THERMOSTATIC STEAM TRAPS BCS 8 F316



POS.	DESCRIPTION	MATERIALS	SPARES
1	Body	ASTM A182 F316	
2	Cover	ASTM A182 F316	
3	Gasket	316 / GRAPHITE	X
4	Valve assembly	STAINLESS STEEL	X
5	Screen	AISI 304	X
6	Gasket	316 / GRAPHITE	X
7	Strainer cap	ASTM A182 F316	
8	Bolts	ASTM A193 B8	
9	Flange	ASTM A182 F316	

Size (inches)	S	A	B	C	Weight (Kg)	Flanged							
						UNI-DIN PN16-25-40		150#		300#		600#	
						SF	Kg	SF	Kg	SF	Kg	SF	Kg
½"	100	129	35	135	7	166	8.5	160	8.2	180	8.5	190	9
¾"	100	129	35	135	7	170	8.5	170	8.2	190	8.5	200	9
1"	120	129	35	135	7	190	10	200	10.2	210	10.7	230	12
1½"	160	181	52	180	15	240	16.1	250	16	260	16.5	280	17
2"	160	181	52	180	15	246	18	250	20	260	21	280	23



INSTALLATION

The steam trap can be installed on horizontal or vertical lines. Do not fit the trap upside down since this position will not allow the cleaning of the strainer. For the same reason the directory of flow on vertical lines must be downwards. Before welding a SW trap, remove element (4). This operation can be avoided by using arc electro welding. For installation with superheated steam, please contact our Technical Department

HOW TO SERVICE

By installing a new element assembly you can bring the BC steam trap to the "as new from factory" condition. Unscrew the bolts (8) and remove cover (2) and gasket (3). Unscrew and remove the element (4). Clean the inside of the trap and screw in the element-gasket assembly. Fit a new gasket (3) and reinstall cover (2) tightening the bolts (8). To service the strainer, unscrew cap (7), withdraw screen (5) and clean or replace it. Screwing the cap back in place, always fit a new gasket (6). The discharge temperature may be adjusted without removing the trap from the line. For information about this operation, to be performed only by qualified personnel, please ask our Technical Department.

How to order: i.e. BCS 20 F316 1" 150 RF

DOUGLAS ITALIA S.p.A Località Pradaglie – 29013 CARPANETO PIACENTINO (PC)

OFFICIAL WEB SITE: www.douglas-italia.com