

BIMETALLIC THERMOSTATIC

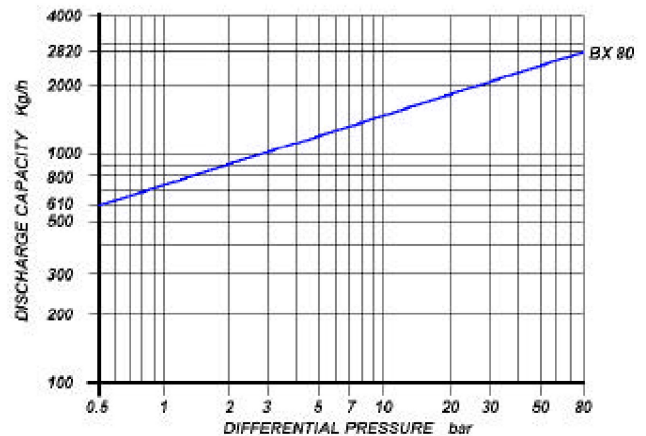
The operating principle is based on a balance between the steam force (pressure related) trying to open the discharge valve and the bimetal force (temperature related) which acts to close it. At saturated steam temperature the bimetal force keeps the valve closed, while with subcooled condensate the pressure opens the valve.


MAIN FEATURES

Free air discharge. Suitable on superheated steam. It withstands frost and waterhammer. Modulating discharge only with condensate.

APPLICATIONS

- Tracing lines
- Marine applications
- Turbines
- Steam mains
- Tanks

DISCHARGE CAPACITY


Cold water capacities are 2 to 4 times greater than the above .
Safety factor = 1.2 – 1.5

SIZES

1" – 2"

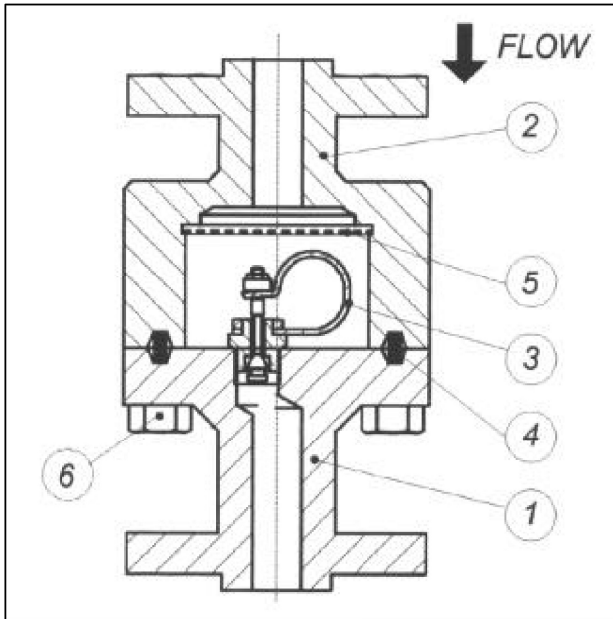
CONNECTIONS

| | |
|-------------|---------------------------------|
| SCREWED | ANSI B1.20.1 (NPT) / BS21 (BSP) |
| SOCKET WELD | ANSI B16.11 |
| FLANGED | ANSI 1500 |

LIMITING CONDITIONS (according to ISO 6552)

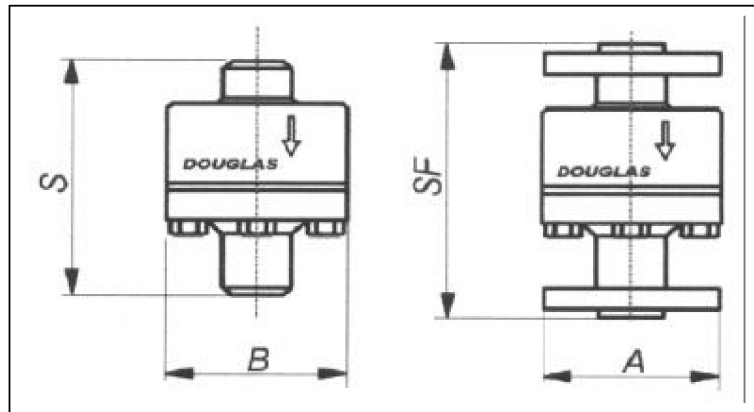
| | |
|--------------------------------|-----------|
| Steam Trap rating | ANSI 1500 |
| PMA: Max allowable pressure | 258 bar |
| TMA: max allowable temperature | 570°C |
| PMO: max working pressure | 80 bar |
| TMO: max working temperature | 340°C |

BIMETALLIC THERMOSTATIC STEAM TRAPS BX 80 F22



| POS. | DESCRIPTION | MATERIALS | SPARES |
|------|----------------|-----------------|--------|
| 1 | Body | ASTM A182 F22 | |
| 2 | Cover | ASTM A182 F22 | |
| 3 | Valve assembly | STAINLESS STEEL | X |
| 4 | Gasket RJ | ASTM A182 F304 | X |
| 5 | Screen | AISI 304 | X |
| 6 | Bolt | ASTM A193 B8 | X |

| Size (inches) | S | B | A | SF | Weight (Kg) |
|---------------|-----|-----|-----|-----|-------------|
| 1" | 173 | 180 | 149 | 243 | 30.2 |
| 2" | 173 | 180 | 216 | 262 | 44.6 |



INSTALLATION

The steam trap can be installed on horizontal or vertical lines. For installation with superheated steam, please contact our Technical Department

HOW TO SERVICE

By installing a new element assembly you can bring the BX 80 F22 steam trap to the "as new from factory" condition. Unscrew the bolts (6) and remove cover (2) and gasket (4). Unscrew and remove the element (3). Clean the inside of the trap, clean screen (5) and screw in the element-gasket assembly. Fit a new gasket (3), fit screen (5) and reinstall cover (2) tightening the bolts (6).

How to order: i.e. BX 80 F22 1" NPT

DOUGLAS ITALIA S.p.A Località Pradaglia – 29013 CARPANETO PIACENTINO (PC)

OFFICIAL WEB SITE: www.douglas-italia.com