



DOUGLAS ITALIA S.P.A.

**BIMETALLIC THERMOSTATIC
STEAM TRAPS
BX 13 F 316**

BIMETALLIC THERMOSTATIC

The operating principle is based on a balance between the steam force (pressure related) trying to open the discharge valve and the bimetal force (temperature related) which acts to close it. At saturated steam temperature the bimetal force keeps the valve closed, while with subcooled condensate the pressure opens the valve.

MAIN FEATURES

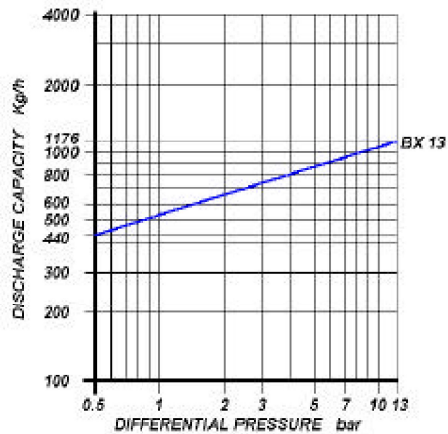
Free air discharge. Suitable on superheated steam. It withstands frost and waterhammer. Modulating discharge only with condensate.



APPLICATIONS

- Tracing lines
- Marine applications
- Turbines
- Steam mains
- Tanks

DISCHARGE CAPACITY



Cold water capacities are 2 to 4 times greater than the above .
Safety factor = 1.2 - 1.5

SIZES

1/2" - 3/4"

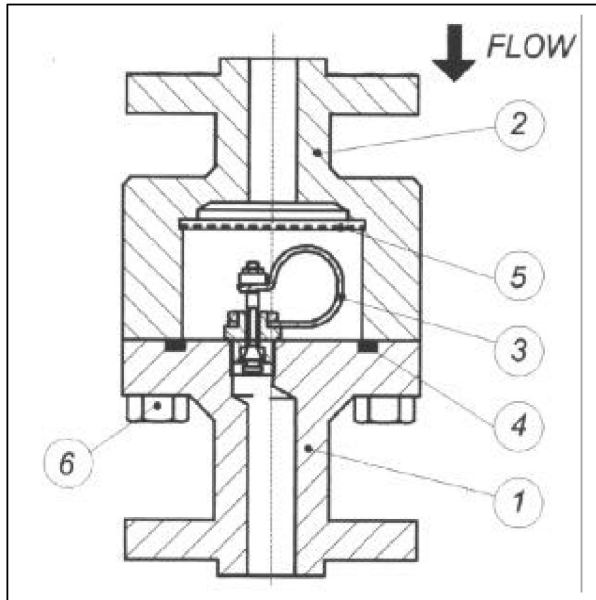
CONNECTIONS

FLANGED ANSI 150#/300#/600#/UNI/DIN

LIMITING CONDITIONS (according to ISO 6552)

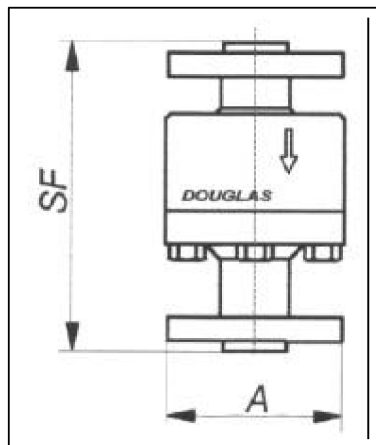
| | |
|--------------------------------|----------|
| Steam Trap rating | ANSI 300 |
| PMA: Max allowable pressure | 50 bar |
| TMA: max allowable temperature | 390°C |
| PMO: max working pressure | 13 bar |
| TMO: max working temperature | 250°C |

BIMETALLIC THERMOSTATIC STEAM TRAPS BX 13 F 316



| POS. | DESCRIPTION | MATERIALS | SPARES |
|------|----------------|-----------------|--------|
| 1 | Body | ASTM A182 F316 | |
| 2 | Cover | ASTM A182 F316 | |
| 3 | Valve assembly | STAINLESS STEEL | X |
| 4 | Gasket | 316 / GRAPHITE | X |
| 5 | Screen | AISI 304 | X |
| 6 | Bolt | ASTM A193 B8 | X |

| Size (inches) | A | Flanged | |
|------------------|-----|---------|----|
| | | SF | Kg |
| 1/2" | 96 | 200 | 5 |
| 3/4" | 118 | 206 | 6 |



INSTALLATION

The steam trap can be installed on horizontal or vertical lines. For installation with superheated steam, please contact our Technical Department

HOW TO SERVICE

By installing a new element assembly you can bring the BX 13 F316 steam trap to the "as new from factory" condition. Unscrew the bolts (6) and remove cover (2) and gasket (4). Unscrew and remove the element (3). Clean the inside of the trap, clean screen (5) and screw in the element-gasket assembly. Fit a new gasket (3), fit screen (5) and reinstall cover (2) tightening the bolts (6).

How to order: i.e. BX 13 F316 3/4" 300 RF

DOUGLAS ITALIA S.p.A Località Pradaglie – 29013 CARPANETO PIACENTINO (PC)

OFFICIAL WEB SITE: www.douglas-italia.com