

BIMETALLIC THERMOSTATIC

The operating principle is based on a balance between the steam force (pressure related) trying to open the discharge valve and the bimetal force (temperature related) which acts to close it. At saturated steam temperature the bimetal force keeps the valve closed, while with subcooled condensate the pressure opens the valve.



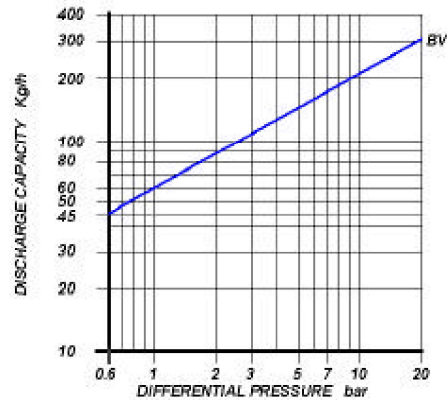
MAIN FEATURES

Free air discharge. Suitable on superheated steam. It withstands frost and waterhammer. Modulating discharge only with condensate.

APPLICATIONS

- Tracing lines
- Marine applications
- Turbines
- Steam mains
- Tanks

DISCHARGE CAPACITY



Cold water capacities are 2 to 4 times greater than the above .
Safety factor = 1.2 – 1.5

SIZES

1/2" – 3/4"

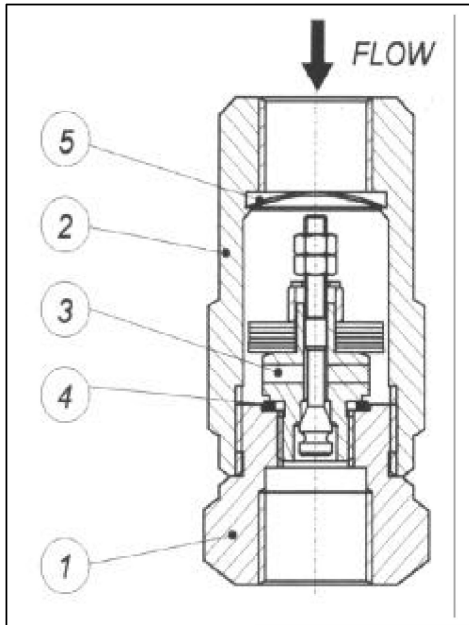
CONNECTIONS

SCREWED ANSI B1.20.1 (NPT) / BS21 (BSP)

LIMITING CONDITIONS (according to ISO 6552)

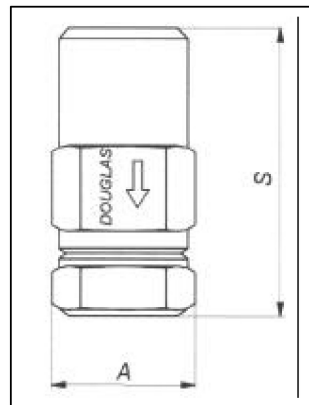
Steam Trap rating	ANSI 300
PMA: Max allowable pressure	50 bar
TMA: max allowable temperature	500°C
PMO: max working pressure	20 bar
TMO: max working temperature	250°C

BIMETALLIC THERMOSTATIC STEAM TRAPS BV F 304



POS.	DESCRIPTION	MATERIALS	SPARES
1	Outlet body	ASTM A182 F304	
2	Inlet body	ASTM A182 F 304	
3	Valve assembly	STAINLESS STEEL	X
4	Gasket	AISI 304	X
5	Screen	AISI 304	X

Size (inches)	S	A	Weight (Kg)
1/2"	80	36	0.6
3/4"	93	36	0.8



INSTALLATION

The steam trap can be installed on horizontal or vertical lines. For installation with superheated steam, please contact our Technical Department

HOW TO SERVICE

By installing a new element assembly you can bring the BV steam trap to the "as new from factory" condition. This operation is carried out in a few minutes without removing the trap from the pipeline. Unscrew the body (1) (2). Unscrew and remove the valve assembly (3). Clean the inside of the trap fit a new gasket (4) and screw in the new valve assembly (3). Reassembly the bodies (1) (2). The discharge temperature may be adjusted without removing the trap from the line. For information about this operation, to be performed only by qualified personnel, please ask our Technical Department.

How to order: i.e. BV 3/4" SW F 304

DOUGLAS ITALIA S.p.A Località Pradaglie – 29013 CARPANETO PIACENTINO (PC)

OFFICIAL WEB SITE: www.douglas-italia.com