

## STRAINERS

Designed to ANSI B16.34 the strainer bodies are produced with a superior wallthickness for corrosion allowance.

Standard strainers are equipped with screens for the average service of most mediums ( steam, gas, air, oil, chemicals , ect. ).

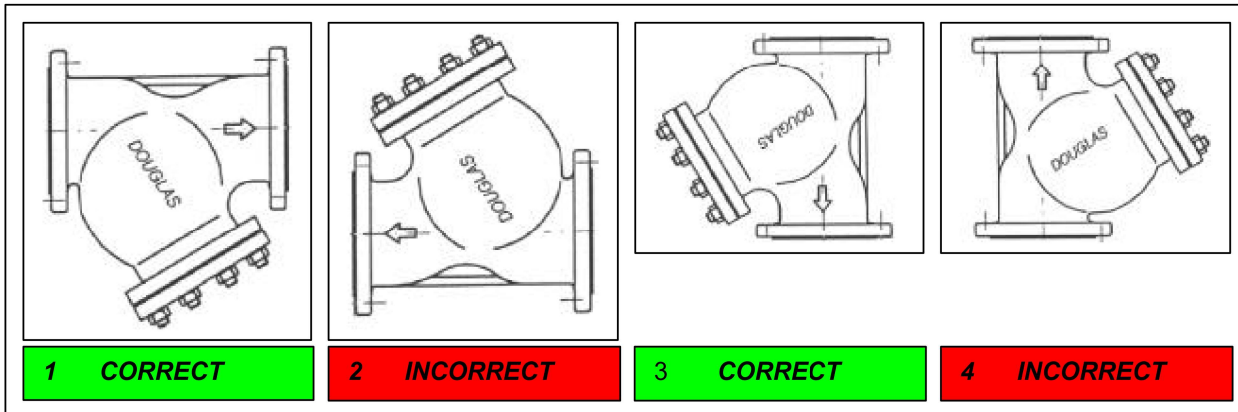
The large screen open area ensures an efficient filtering action with a low pressure drop.

Filtering area to inlet area ratio is larger than 3 to 1 .  
Screens are manufactured with perforated plate in the materials and with the perforation specified in the relevant tables .

Screens with different perforation ( or wire mesh ) and materials may be manufactured on request.



## INSTALLATION



- All strainers should be mounted as close as possible to the valve or machinery which they are being installed to protect. It is important to ensure that the strainer installed with the flow following the same direction as the flow direction arrow cast onto the strainer body.
- For mounting in horizontal or inclined pipelines, ensure that the screen housing is always mounted below the pipeline.
- " Y " – strainers should never be installed in vertical pipelines in the upward flow condition. ( see above )

### SIZES

16"

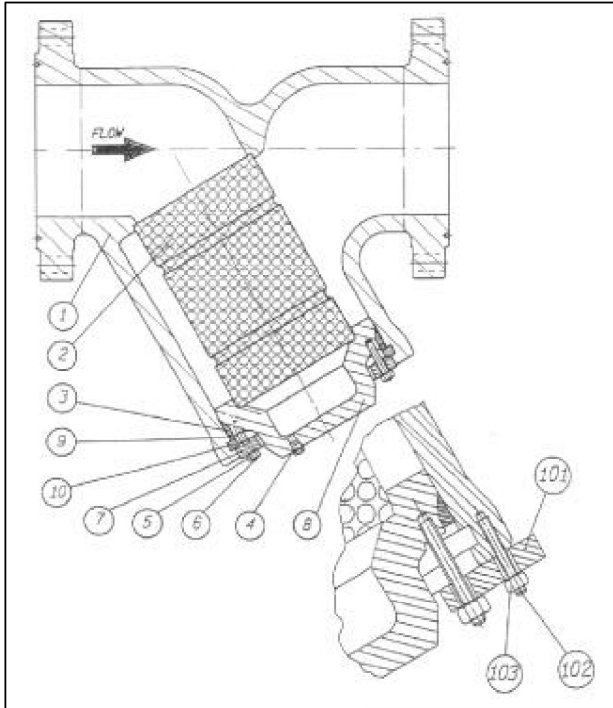
### CONNECTIONS

Buttweld	ANSI B16.25
Flanged	ANSI B 16.5

### LIMITING CONDITIONS ( according to ISO 6552 )

According to the body rating ( ANSI B16.34 )  
C900 – ANSI 900  
OTHER RATINGS ON REQUEST

## CAST STEEL "Y" TYPE PRESSURE SEAL STRAINERS C900 CF8M

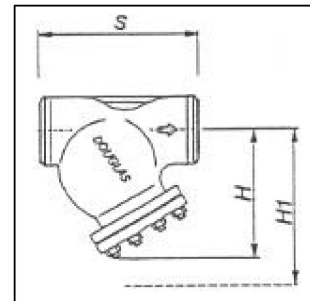
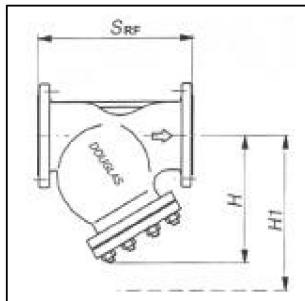
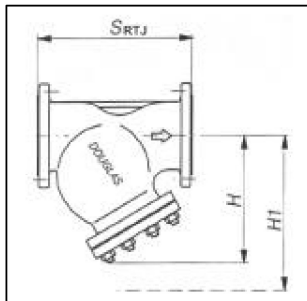


POS.	DESCRIPTION	MATERIALS	SPARES
1	Body	ASTM A351 CF8M	
2	Screen	S.S. 316	X
3	Gasket	A182 F316	X
4	Drain plug	S.S. 316	
5	Nuts	A194 Gr.8	
6	Studs	A193 B8	
7	Sleeve	A182 F316	
8	Cover	A182 F316	
9	Ring	A182 F6	
10	Retain ring	A182 F6	

OTHER MATERIALS ON REQUEST

Size (inches)	16"
SRTJ	1140
SRF	1092
S	1092
H	865
H1	1340
Kg	-

STANDARD PERFORATIONS 1.5 mm  
SPECIAL PERFORATIONS ON REQUEST. DRAIN PLUG SIZE ¾"  
Dimension : SRF , S , H , H1 are in millimeters ( mm)



### HOW TO SERVICE

Strainer maintenance should be made at least once year, or whenever the pressure drop is found to be in excess of the normal figures. A quick clean-up system, to made approximately once a month, is to blow-off small impurities through the drain-plug on cover (4). This operation is faster if a drain valve is installed. For a complete maintenance follow the points herebelow: -1- Be sure that the main line has been shut-off. -2- Untighten nuts (5) remove sleeve (7) and studs (6). -3- Remove retain ring (10) -4- Reinstall the studs (6) to the cover and install studs (102) into threaded holes drilled on the screen casing end. Install four shims (101) with nuts (5 and 103) as per enclosed drawing. -5- Tighten the nuts (5) driving the cover (8) against the shims (101). This will also extract the gasket (3) from its seat and then until the gasket (3) is completely extracted from its seat and the cover (8) can be withdraw from the body. -6- Withdraw screen (2) and carefully inspect it for damages. If any hole in the screen is found obstructed, clean it with compressed air and/or any suitable tool. If the screen is broken in any part or out of shape, replace it with a new spare one. **Never reinstall a broken or distorted screen.** -7- Carefully clean the inside of the strainer body. -8- Install the new screen or the old cleaned one (2). Be sure the center the screen in the upper seat. -9- Install the cover (8) without the studs (6) making sure the screen (2) fits correctly in the cover seat. Check that the cover (8) is fully inserted in the body to allow the installation of the retain ring (10). -10- Install a new gasket (3) and the spacer ring (9). -11- Install retaining ring (10) in their recess in the body, making sure that the holes are visible. -12- Place the sleeve (7) in contact with its seat on the body (1). -13- Slowly cross-tighten the nuts (5) taking care that the cover (8) is kept in axis with the body. This is easily checked watching the gap between the sleeve (7) hole and cover's (8) hub. -14- Slowly give pressure to the line, checking for leakages. -15- Write on the strainer body or tag the date of this maintenance operation.

**How to order:** i.e. C900 CF8M / 316 F 1.5 16" 900 RTJ

**DOUGLAS ITALIA S.p.A** Località Pradaglie – 29013 CARPANETO PIACENTINO ( PC )

OFFICIAL WEB SITE: [www.douglas-italia.com](http://www.douglas-italia.com)